



METALOK PRESSURE RELIEF VALVE/ SAFETY VALVE



Z:\All Photos\safety valve\20150101_162641.jpg

Dimensions are for reference only and subject to change without notice.






Warning for Your Safety

The system designer and user have the sole responsibility to select products suitable for their special application requirements to ensure the proper installation. Operation and maintenance of the product. Application details, material compatibility and product ratings should all be considered in the individual selection. Improper selection or use of products can cause property damage or personal injury. METALOK accepts no liability for any improper selection, installation, operation or maintenance.

METALOK INDUSTRIES

sales@metalokindustries.com



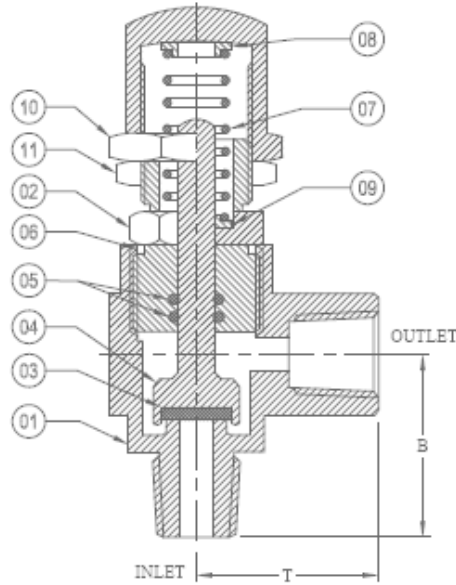
 1	 2	 3
Pressure Relief Valve ,Set Pressure 50 -350 psi	Pressure Relief Valve ,Set Pressure 350 -750 psi	Pressure Relief Valve ,Set Pressure 750 -1500 psi
 4	 5	
Pressure Relief Valve ,Set Pressure 1500-2250 psi	Pressure Relief Valve ,Set Pressure 2250-3000 psi	

Dimensions are for reference only and subject to change without notice.

Warning for Your Safety

The system designer and user have the sole responsibility to select products suitable for their special application requirements to ensure the proper installation. Operation and maintenance of the product. Application details, material compatibility and product ratings should all be considered in the individual selection. Improper selection or use of products can cause property damage or personal injury. METALOK accepts no liability for any improper selection, installation, operation or maintenance.

**Pressure Relief Valve ,Set Pressure
50 -350 psi**



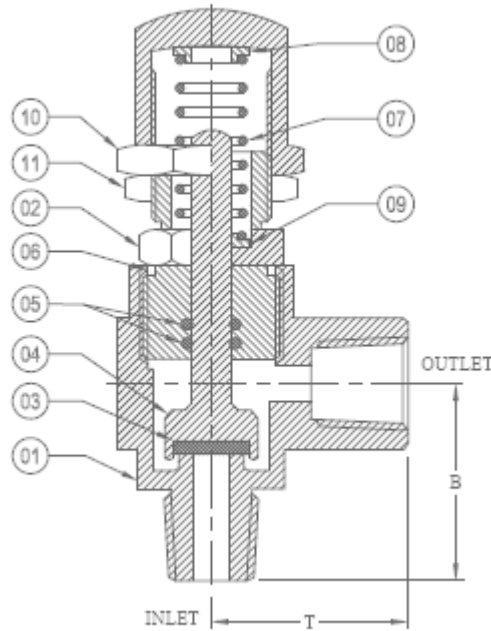
Part No.	INLET NPT-M	OUTLET NPT-F	Dimension MM		ORIFICE mm	CV
			L	B		
MIRV/MF-50-350psi	1/4"	1/4"	32	38	6	0.65
MIRV/MF-50-350psi	3/8"	3/8"	34	40	8	0.82
MIRV/MF-50-350psi	1/2"	1/2"	38	42	10	1.1
MIRV/MF-50-350psi	3/4"	3/4"	43	46	14	2.23
MIRV/MF-50-350psi	1"	1"	48	52	19	3.7
Part No.	NPT-M	Tube OD (Imperial)				
MIRV/MT-4-50-350psi	1/4"	1/4"	32	38	6	0.65
MIRV/MT-6-50-350ps	3/8"	3/8"	34	40	8	0.82
MIRV/MT-8-50-350psi	1/2"	1/2"	38	42	10	1.1
MIRV/MT-50-350psi	3/4"	3/4"	43	46	14	2.23
MIRV/MT-16-50-350psi	1"	1"	48	52	19	3.7
Part No.	NPT-M	Tube OD (Metric)				
MIRV/M-4-50-350psi	1/4"	6	32	38	6	0.65
MIRV/M-6-50-350psi	3/8"	10	34	40	8	0.82
MIRV/M-8-50-350psi	1/2"	12	38	42	10	1.1
MIRV/M-12-50-350psi	3/4"	18	43	46	14	2.23
MIRV/M-16-50-350psi	1"	25	48	52	19	3.7

Dimensions are for reference only and subject to change without notice.

Warning for Your Safety

The system designer and user have the sole responsibility to select products suitable for their special application requirements to ensure the proper installation. Operation and maintenance of the product. Application details, material compatibility and product ratings should all be considered in the individual selection. Improper selection or use of products can cause property damage or personal injury. METALOK accepts no liability for any improper selection, installation, operation or maintenance.

Pressure Relief Valve ,Set Pressure 350 - 750 psi



Part No.	INLET NPT-M	OUTLET NPT-F	Dimension - mm		ORIFICE mm	CV
			L	B		
MIRV/MF-350-750psi	1/4"	1/4"	32	38	6	0.65
MIRV/MF-350-750psi	3/8"	3/8"	34	40	8	0.82
MIRV/MF-350-750psi	1/2"	1/2"	38	42	10	1.1
MIRV/MF-350-750psi	3/4"	3/4"	43	46	14	2.23
MIRV/MF-350-750psi	1"	1"	48	52	19	3.7
Part No.	NPT-M	Tube OD (Imperial)				
MIRV/MT-4-350-750psi	1/4"	1/4"	32	38	6	0.65
MIRV/MT-6-350-750psi	3/8"	3/8"	34	40	8	0.82
MIRV/MT-8-350-750psi	1/2"	1/2"	38	42	10	1.1
MIRV/MT-350-750psi	3/4"	3/4"	43	46	14	2.23
MIRV/MT-350-750psi	1"	1"	48	52	19	3.7
Part No.	NPT-M	Tube OD (Metric)				
MIRV/M-4-350-750psi	1/4"	6	32	38	6	0.65
MIRV/M-6-350-750psi	3/8"	10	34	40	8	0.82
MIRV/M-8-350-750psi	1/2"	12	38	42	10	1.1
MIRV/M-12-350-750psi	3/4"	18	43	46	14	2.23
MIRV/M-16-350-750ps	1"	25	48	52	19	3.7

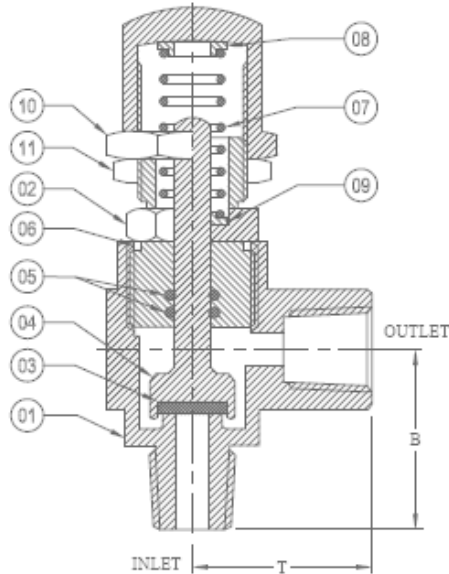
Dimensions are for reference only and subject to change without notice.

Warning for Your Safety

The system designer and user have the sole responsibility to select products suitable for their special application requirements to ensure the proper installation. Operation and maintenance of the product. Application details, material compatibility and product ratings should all be considered in the individual selection. Improper selection or use of products can cause property damage or personal injury. METALOK accepts no liability for any improper selection, installation, operation or maintenance.



Pressure Relief Valve ,Set Pressure 750 -1500 psi



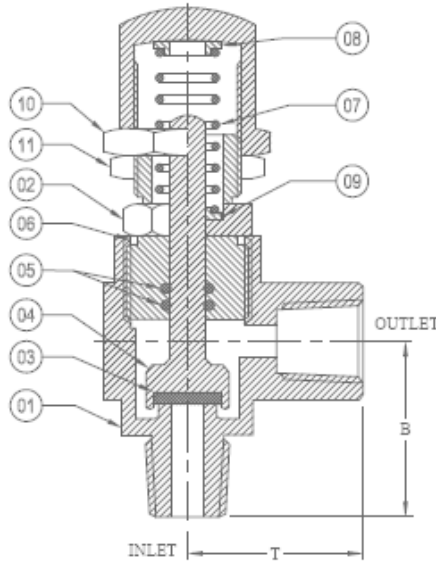
Part No.	INLET NPT-M	OUTLET NPT-F	Dimension - mm		ORIFICE mm	CV
			L	B		
MIRV/MF-750-1500psi	1/4"	1/4"	32	38	6	0.65
MIRV/MF-750-1500psi	3/8"	3/8"	34	40	8	0.82
MIRV/MF-750-1500 psi	1/2"	1/2"	38	42	10	1.1
MIRV/MF-750-1500psi	3/4"	3/4"	43	46	14	2.23
MIRV/MF-750-1500psi	1"	1"	48	52	19	3.7
Part No.	NPT-M	Tube OD (Imperial)				
MIRV/MT-4-750-1500psi	1/4"	1/4"	32	38	6	0.65
MIRV/MT-6-750-1500psi	3/8"	3/8"	34	40	8	0.82
MIRV/MT-8-750-1500 psi	1/2"	1/2"	38	42	10	1.1
MIRV/MT-750-1500psi	3/4"	3/4"	43	46	14	2.23
MIRV/MT-750-1500psi	1"	1"	48	52	19	3.7
Part No.	NPT-M	Tube OD (Metric)				
MIRV/M-4-750-1500psi	1/4"	6	32	38	6	0.65
MIRV/M-6-750-1500psi	3/8"	10	34	40	8	0.82
MIRV/M-8-750-1500psi	1/2"	12	38	42	10	1.1
MIRV/M-12-750-1500psi	3/4"	18	43	46	14	2.23
MIRV/M-16-750-1500psi	1"	25	48	52	19	3.7

Dimensions are for reference only and subject to change without notice.

Warning for Your Safety

The system designer and user have the sole responsibility to select products suitable for their special application requirements to ensure the proper installation. Operation and maintenance of the product. Application details, material compatibility and product ratings should all be considered in the individual selection. Improper selection or use of products can cause property damage or personal injury. METALOK accepts no liability for any improper selection, installation, operation or maintenance.

Pressure Relief Valve ,Set Pressure 1500-2250 psi



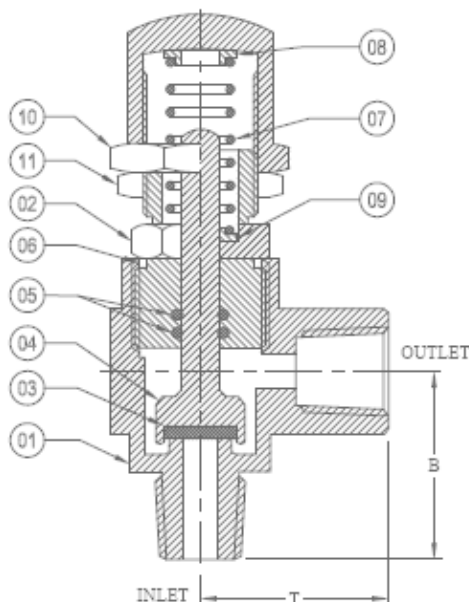
Part No.	INLET NPT-M	OUTLET NPT-F	Dimension - mm		ORIFICE mm	CV
			L	B		
MIRV/MF-1500-2250psi	1/4"	1/4"	32	38	6	0.65
MIRV/MF-1500-2250psi	3/8"	3/8"	34	40	8	0.82
MIRV/MF-150-2250 psi	1/2"	1/2"	38	42	10	1.1
MIRV/MF-150-2250psi	3/4"	3/4"	43	46	14	2.23
MIRV/MF-150-2250psi	1"	1"	48	52	19	3.7
Part No.	NPT-M	Tube OD (Imperial)				
MIRV/MT-4-1500-2250 psi	1/4"	1/4"	32	38	6	0.65
MIRV/MT-6-1500-2250psi	3/8"	3/8"	34	40	8	0.82
MIRV/MT-8-1500-2250 psi	1/2"	1/2"	38	42	10	1.1
MIRV/MT-1500-2250psi	3/4"	3/4"	43	46	14	2.23
MIRV/MT-1500-2250psi	1"	1"	48	52	19	3.7
Part No.	NPT-M	Tube OD (Metric)				
MIRV/M-4-1500-2250psi	1/4"	6	32	38	6	0.65
MIRV/M-6-1500-2250psi	3/8"	10	34	40	8	0.82
MIRV/M-8-1500-2250psi	1/2"	12	38	42	10	1.1
MIRV/M-12-1500-2250psi	3/4"	18	43	46	14	2.23
MIRV/M-16-750-1500psi	1"	25	48	52	19	3.7

Dimensions are for reference only and subject to change without notice.

Warning for Your Safety

The system designer and user have the sole responsibility to select products suitable for their special application requirements to ensure the proper installation. Operation and maintenance of the product. Application details, material compatibility and product ratings should all be considered in the individual selection. Improper selection or use of products can cause property damage or personal injury. METALOK accepts no liability for any improper selection, installation, operation or maintenance.

Pressure Relief Valve ,Set Pressure 2250-3000 psi



Part No.	INLET NPT- M	OUTLET NPT- F	Dimension - mm		ORIFICE mm	CV
			L	B		
MIRV/MF-2250-3000psi	1/4"	1/4"	32	38	6	0.65
MIRV/MF-2250-3000psi	3/8"	3/8"	34	40	8	0.82
MIRV/MF-2250-3000 psi	1/2"	1/2"	38	42	10	1.1
MIRV/MF-2250-3000psi	3/4"	3/4"	43	46	14	2.23
MIRV/MF-150-2250psi	1"	1"	48	52	19	3.7
Part No.	NPT-M	Tube OD (Imperial)				
MIRV/MT-4-2250-3000 psi	1/4"	1/4"	32	38	6	0.65
MIRV/MT-6-2250-3000psi	3/8"	3/8"	34	40	8	0.82
MIRV/MT-8-2250-3000 psi	1/2"	1/2"	38	42	10	1.1
MIRV/MT-2250-3000psi	3/4"	3/4"	43	46	14	2.23
MIRV/MT-2250-3000psi	1"	1"	48	52	19	3.7
Part No.	NPT-M	Tube OD (Metric)				
MIRV/M-4-2250-3000psi	1/4"	6	32	38	6	0.65
MIRV/M-6-2250-3000psi	3/8"	10	34	40	8	0.82
MIRV/M-8-2250-3000psi	1/2"	12	38	42	10	1.1
MIRV/M-12-2250-3000psi	3/4"	18	43	46	14	2.23
MIRV/M-16-750-1500psi	1"	25	48	52	19	3.7

Dimensions are for reference only and subject to change without notice.

Warning for Your Safety

The system designer and user have the sole responsibility to select products suitable for their special application requirements to ensure the proper installation. Operation and maintenance of the product. Application details, material compatibility and product ratings should all be considered in the individual selection. Improper selection or use of products can cause property damage or personal injury. METALOK accepts no liability for any improper selection, installation, operation or maintenance.



Our Total customer satisfaction results in A True Partnership.



CUSTOMER BASE

More than three decades of experience, expertise and dedication ensures world class quality and excellent performance of METALOK products resulted in establishing worldwide customer base.

GRATITUDE

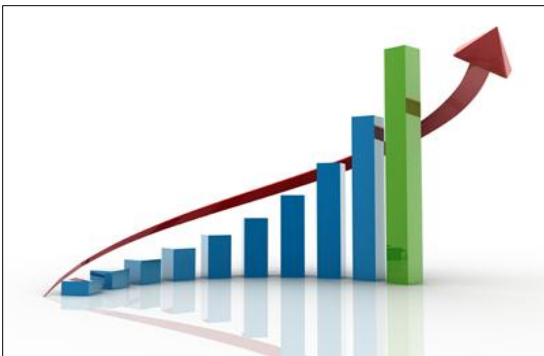
We at METALOK always appreciated and thankful to all our Valued Customers for undaunted support and faith reposed on us which motivates us to perform better all the time

EDGE

Our in-house Design, manufacturing and Testing facilities only emphasizes that METALOK Fitting and Valves are one of the Best, versatile, safe, compatible, easy for installation and operation in Instrumentation, Hydraulic and Industrial applications.

OUR GOAL

Our company's vision is to understand our customers requirements and meet them fully to their entire satisfaction by way of high quality, timely delivery, competitive price and prompt service.



www.metalokindustries.com



METALOK INDUSTRIES
(AN ISO 9001: 2008 Certified Company)

Regd Office & Unit : G-16 & 21, Nikisha Industrial Estate , Near Pandurang wadi, Western Express Highway, Mira Road East, Thane 401 107.



+91 22 28453235
+91 9869552950 (Hassan Shaikh)
+91 9892277161 (Rehan Shaikh)



metalokindustries@gmail.com
sales@metalokindustries.com
metalok@live.com



www.metalokindustries.com

METALOK INDUSTRIES

sales@metalokindustries.com



M
E
T
A
L
O
K

I
N
D
U
S
T
R
I
E
S