



M
E
T
A
L
O
K

I
N
D
U
S
T
R
I
E
S

METALOK NEEDLE VALVES



Dimensions are for reference only and subject to change without notice.

Warning for Your Safety

The system designer and user have the sole responsibility to select products suitable for their special application requirements to ensure the proper installation. Operation and maintenance of the product. Application details, material compatibility and product ratings should all be considered in the individual selection. Improper selection or use of products can cause property damage or personal injury. METALOK accepts no liability for any improper selection, installation, operation or maintenance.

METALOK INDUSTRIES

sales@metalokindustries.com

NEEDLE VALVES

INTRODUCTION	METALOK Needle valves are designed for stringent application in Oil & Gas, Chemical, Petrochemical etc. industries. These can be used for throttling and straight isolation in process or flow control applications. These metal seated valves are machined from square bar stock and are available in sizes 1/8" to 2" in various connections. 10000 psi valves are rated upto 1" pipe size.
UNIQUE DESIGN	Rising stem& bar stock body design. Metal-to-Metal seating achieves bubble-tight shut-off, longer stem/seal life in abrasive flow, greater durability for repeated on/off cycles and excellent corrosion resistance.
VARIETY OF MATERIALS	Available in 316 Stainless Steel, Monel, Duplex & other exotic material.
VARIETY OF CONNECTIONS	BSPP, BSPT, ISO, Socket & Butt Weld etc. connections available on request.
HIGH TEMPERATURE	Temperature range 100°C to 230°C (400°C Optional)
HIGH PRESSURE	Needle Valves are designed for Pressure upto 20,000 psi
SPINDLE	Spindle is thread rolled and burnished for smooth operation and long life.
TESTING	All valves are 100% factory tested with
PROTECTION	Dust and thread caps are provided as standard.



M
E
T
A
L
O
K

I
N
D
U
S
T
R
I
E
S

Dimensions are for reference only and subject to change without notice.

Warning for Your Safety

The system designer and user have the sole responsibility to select products suitable for their special application requirements to ensure the proper installation. Operation and maintenance of the product. Application details, material compatibility and product ratings should all be considered in the individual selection. Improper selection or use of products can cause property damage or personal injury. METALOK accepts no liability for any improper selection, installation, operation or maintenance.

METALOK INDUSTRIES

sales@metalokindustries.com



M
E
T
A
L
O
K

I
N
D
U
S
T
R
I
E
S



1

DOUBLE BONNET ASSEMBLY



1

SINGLE BONNET ASSEMBLY



2

**ANGLE NEEDLE VALVE,
FEMALE X FEMALE**



2

**ANGLE NEEDLE VALVE ,
FEMALE X MALE**



2

**ANGLE NEEDLE VALVE,
MALE X MALE**



2

**ANGLE NEEDLE VALVE,
OD DOUBLE FERRULE**



3

**NEEDLE VALVE ,FEMALE X FEMALE,
NPT 3000 psi and 6000 psi**



3

**NEEDLE VALVE ,FEMALE X MALE,
NPT 3000 psi and 6000 psi**



4

**NEEDLE VALVE , MALE X MALE,NPT
3000 psi and 6000 psi**



4

**NEEDLE VALVE, OD, DOUBLE
FERRULE**



5

**MINI NEEDLE VALVE
Female X Female**



5

**MINI NEEDLE VALVE
Female X Male**



5

**MINI NEEDLE VALVE
Male X Male**



6

**HIGH PRESSURE NEEDLE VALVE,
FEMALE X FEMALE,10000 psi**



6

**HIGH PRESSURE NEEDLE VALVE,
FEMALE X MALE,10000 psi**



7

**HEX NEEDLE, Male X Female
3000 psi,6000 psi and 10000psi**



8

**HEX NEEDLE, Female X Female
3000 psi,6000 psi and 10000psi**



9

**HEX NEEDLE VENT TYPE, Male X
Female 6000 psi and 10000psi**



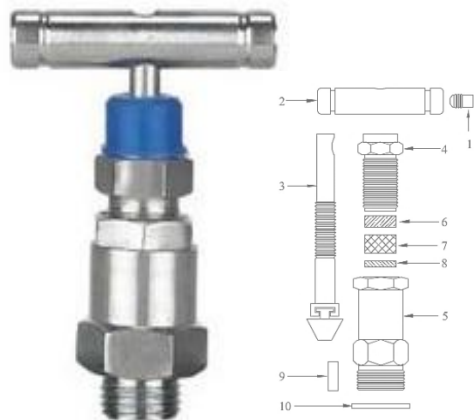
 <p style="text-align: right;">10</p>	 <p style="text-align: right;">11</p>	 <p style="text-align: right;">12</p>
<p>GAUGE VALVE, BLOCK & BLEED TYPE 6000 psi and 10000psi</p>	<p>GAUGE VALVE, MULTIPOINT TYPE 6000 psi and 10000psi</p>	<p>GAUGE ROOT VALVE-STANDARD LENGTH 6000 psi and 10000psi</p>
 <p style="text-align: right;">12</p>	 <p style="text-align: right;">13</p>	 <p style="text-align: right;">13</p>
<p>GAUGE ROOT VALVE-EXTRA LONG LENGTH 6000 psi and 10000psi</p>	<p>FLOW CONTROL VALVE Female X Female .Up to 6000 psi</p>	<p>FLOW CONTROL VALVE Male X Female .Upto 6000 psi</p>
 <p style="text-align: right;">14</p>	 <p style="text-align: right;">14</p>	 <p style="text-align: right;">14</p>
<p>FORGED BODY Y TYPE NEEDLE VALVE</p>	<p>FORGED BODY STRAIGHT TYPE NEEDLE VALVE WITH HANDWHEEL</p>	<p>FLANGED BODY STRAIGHT TYPE NEEDLE VALVE WITH HANDWHEEL</p>
 <p style="text-align: right;">15</p>	 <p style="text-align: right;">15</p>	 <p style="text-align: right;">15</p>
<p>NEEDLE TYPE GLOBE VALVE</p>	<p>NEEDLE TYPE GATE VALVE</p>	<p>NEEDLE TYPE GATE VALVE,DOUBLE FERRULE COMPRESSION</p>

Dimensions are for reference only and subject to change without notice.

Warning for Your Safety

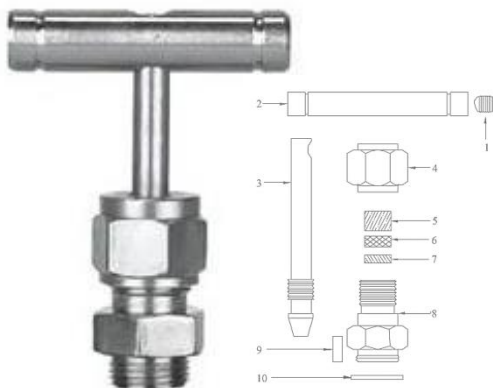
The system designer and user have the sole responsibility to select products suitable for their special application requirements to ensure the proper installation. Operation and maintenance of the product. Application details, material compatibility and product ratings should all be considered in the individual selection. Improper selection or use of products can cause property damage or personal injury. METALOK accepts no liability for any improper selection, installation, operation or maintenance.

DOUBLE BONNET ASSEMBLY



No .	DESCRIPTION	QTY	MATERIAL
1	SET SCREW	1	MS
2	HANDLE	1	SS
3	SPINDLE	1	SS316
4	GLAND NUT	1	MS / SS316
5	BUSH	1	MS / SS316
6	PACKING	1	PTFE / Graphoi
7	BUSH	1	MS / SS316
8	BONNET	1	MS / SS316
9	STOP PIN	1	MS / SS316
10	WASHER	1	COPPER

SINGLE BONNET ASSEMBLY



No .	DESCRIPTION	QTY	MATERIAL
1	SET SCREW	1	MS
2	HANDLE	1	SS
3	SPINDLE	1	SS316
4	GLAND NUT	1	MS / SS316
5	BUSH	1	MS / SS316
6	PACKING	1	PTFE / Graphoi
7	BUSH	1	MS / SS316
8	BONNET	1	MS / SS316
9	STOP PIN	1	MS / SS316
10	WASHER	1	COPPER

Dimensions are for reference only and subject to change without notice.

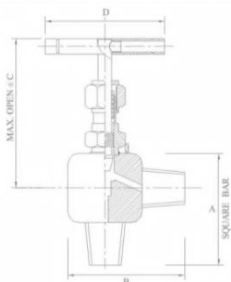
Warning for Your Safety

The system designer and user have the sole responsibility to select products suitable for their special application requirements to ensure the proper installation. Operation and maintenance of the product. Application details, material compatibility and product ratings should all be considered in the individual selection. Improper selection or use of products can cause property damage or personal injury. METALOK accepts no liability for any improper selection, installation, operation or maintenance.

NEEDLE VALVES

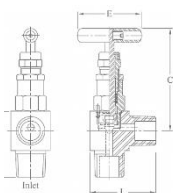
ANGLE NEEDLE VALVE 3000 psi 6000 psi ,10,000 psi

ANGLE NEEDLE VALVE, FEMALE X FEMALE



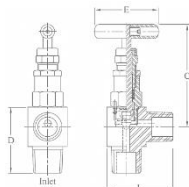
PART No.	SIZE	A	B	±C	D
MINV/ANG/01	1/8"	26	26	70	45
MINV/ANG/02	1/4"	32	32	75	50
MINV/ANG/03	3/8"	36	36	80	55
MINV/ANG/04	1/2"	42	42	90	55
MINV/ANG/05	3/4"	50	50	100	65
MINV/ANG/06	1 "	56	56	105	65
MINV/ANG/07	1 1/4"	62	62	125	80
MINV/ANG/08	1 1/2"	72	72	135	88
MINV/ANG/09	2"	82	82	155	95

ANGLE NEEDLE VALVE, FEMALE X MALE



Part No.	Connection		L	D	C (max.open)	E	OriMlice	Cv
	Inlet-M	Outlet-F						
MIA A 2N 2	1/8"	1/8"	26	26	70	45	3	0.24
MIAA 4N 2	1/4"	1/4"	32	32	75	45	4	0.35
MIAA 6N 2	3/8"	3/8"	36	36	80	45	4	0.35
MIAA 8N 2	1/2"	1/2"	42	42	90	55	4.9	0.65
MIAA 12N 2	3/4"	3/4"	50	50	100	65	6.5	0.86

ANGLE NEEDLE VALVE, MALE X MALE



Part No.	Connection		L	D	C (max.open)	E	OriMlic e	Cv
	Inlet-M	Outlet-F						
MIA A 2N 2	1/8"	1/8"	26	26	70	45	3	0.24
MIAA 4N 2	1/4"	1/4"	32	32	75	45	4	0.35
MIAA 6N 2	3/8"	3/8"	36	36	80	45	4	0.35
MIAA 8N 2	1/2"	1/2"	42	42	90	55	4.9	0.65
MIAA 12N 2	3/4"	3/4"	50	50	100	65	6.5	0.86

ANGLE NEEDLE VALVE, OD DOUBLE FERRULE



Part No.	Connection		L	D	C (max.open)	E	OriMlice	Cv
	Inlet-OD TUBE	Outlet-Ood tube						
MIA A 2N 2	1/8"	1/8"	26	26	70	45	3	0.24
MIAA 4N 2	1/4"	1/4"	32	32	75	45	4	0.35
MIAA 6N 2	3/8"	3/8"	36	36	80	45	4	0.35
MIAA 8N 2	1/2"	1/2"	42	42	90	55	4.9	0.65
MIAA 12N 2	3/4"	3/4"	50	50	100	65	6.5	0.86

Dimensions are for reference only and subject to change without notice.

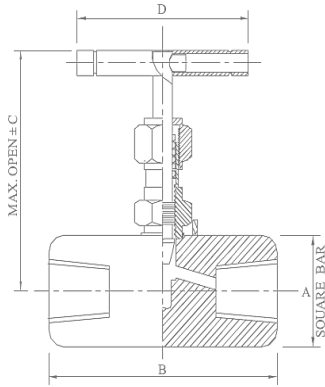
Warning for Your Safety

The system designer and user have the sole responsibility to select products suitable for their special application requirements to ensure the proper installation. Operation and maintenance of the product. Application details, material compatibility and product ratings should all be considered in the individual selection. Improper selection or use of products can cause property damage or personal injury. METALOK accepts no liability for any improper selection, installation, operation or maintenance.



NEEDLE VALVES

NEEDLE VALVE ,FEMALE X FEMALE,NPT 3000 psi and 6000 psi

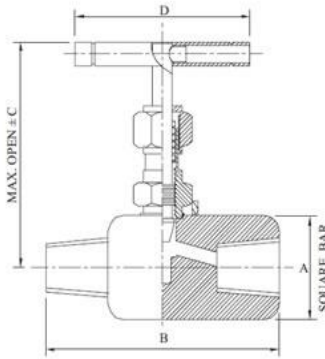


PART No.	SIZE	A	B	±C	D
MINV/MF/01	1/8"	19	50	65	45
MINV/MF/02	1/4"	22	50	70	50
MINV/MF/03	3/8"	25	55	75	55
MINV/MF/04	1/2"	30	65	85	55
MINV/MF/05	3/4"	36	75	95	65
MINV/MF/06	1"	40	85	100	65
MINV/MF/07	1-1/4"	54	90	120	80
MINV/MF/08	1-1/2"	62	110	130	88
MINV/MF/09	2"	72	120	150	95

For BSP, SOCKET WELD CONNECTION end connection add BSP or SW after the part number ,

Example FNV/FF/09/BSP
FNV/FF/09/SW

NEEDLE VALVE ,FEMALE X MALE,NPT 3000 PSI AND 6000 PSI



PART No.	SIZE	A	B	±C	D
MINV/MF/01	1/8"	19	50	65	45
MINV/MF/02	1/4"	22	50	70	50
MINV/MF/03	3/8"	25	55	75	55
MINV/MF/04	1/2"	30	65	85	55
MINV/MF/05	3/4"	36	75	95	65
MINV/MF/06	1"	40	85	100	65
MINV/MF/07	1-1/4"	54	90	120	80
MINV/MF/08	1-1/2"	62	110	130	88
MINV/MF/09	2"	72	120	150	95

For BSP, SOCKET WELD CONNECTION end connection add BSP or SW after the part number ,

Example FNV/FF/09/BSP
FNV/FF/09/SW

Dimensions are for reference only and subject to change without notice.

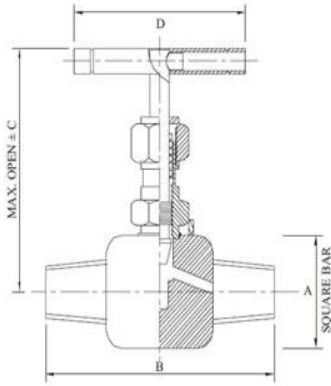
Warning for Your Safety

The system designer and user have the sole responsibility to select products suitable for their special application requirements to ensure the proper installation. Operation and maintenance of the product. Application details, material compatibility and product ratings should all be considered in the individual selection. Improper selection or use of products can cause property damage or personal injury. METALOK accepts no liability for any improper selection, installation, operation or maintenance.



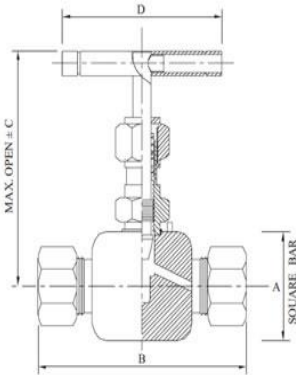
NEEDLE VALVES

NEEDLE VALVE , MALE X MALE,NPT 3000 psi and 6000 psi



PART NO.	SIZE	A	B	±C	D
MINV/MF/01	1/8"	19	50	65	45
MINV/MF/02	1/4"	22	50	70	50
MINV/MF/03	3/8"	25	55	75	55
MINV/MF/04	1/2"	30	65	85	55
MINV/MF/05	3/4"	36	75	95	65
MINV/MF/06	1"	40	85	100	65
MINV/MF/07	1-1/4"	54	90	120	80
MINV/MF/08	1-1/2"	62	110	130	88
MINV/MF/09	2"	72	120	150	95

NEEDLE VALVE ,OD ,DOUBLE FERRULE



PART No.	SIZE	A	B	±C	D
MINV/OD/01	1/8"	20	50	65	45
MINV/OD/02	1/4"	22	50	70	50
MINV/OD/03	3/8"	22	55	75	55
MINV/OD/04	1/2"	22	65	85	55
MINV/OD/05	3/4"	28	75	95	65
MINV/OD/06	1"	36	85	100	65
MINV/OD/07	1-1/4"	45	90	120	80
MINV/OD/08	1-1/2"	52	110	130	88
MINV/OD/09	2"	62	120	150	95

Dimensions are for reference only and subject to change without notice.

Warning for Your Safety

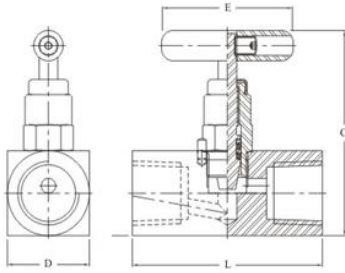
The system designer and user have the sole responsibility to select products suitable for their special application requirements to ensure the proper installation. Operation and maintenance of the product. Application details, material compatibility and product ratings should all be considered in the individual selection. Improper selection or use of products can cause property damage or personal injury. METALOK accepts no liability for any improper selection, installation, operation or maintenance.



NEEDLE VALVES

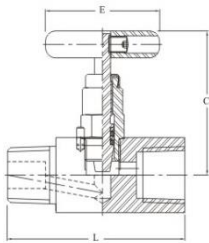
MINI NEEDLE VALVE FM Series

MINI NEEDLE VALVE Female X Female



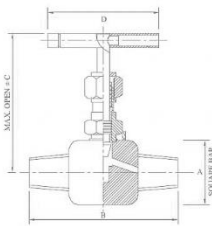
PART No.	SIZE	A1	A2	B	±C	D
MINV/FF/HP/01	1/8"	38	25	55	70	45
MINV/FF/HP/02	1/4"	38	25	55	75	50
MINV/FF/HP/03	3/8"	42	28	60	80	55
MINV/FF/HP/04	1/2"	48	32	65	85	60

MINI NEEDLE VALVE Female X Male



PART NO.	CONNECTION		L	D	C (MAX OPEN)	E	ORIFICE	Cv
	INLET M	OUTLE T F						
MINM 4N 2	1/4"	1/4"	55	22	64	45	4	0.35
MINM 6N 2	3/8"	3/8"	60	25	67	45	4	0.35
MINM 8N 2	1/2"	1/2"	65	28	72	55	4.9	0.65

MINI NEEDLE VALVE Male X Male



PART NO.	CONNECTIO N		L	D	C (MAX OPEN)	E	ORIFICE	Cv
	INLET M	OUTLE T F						
MINM 4N 3	1/4"	1/4"	60	22	64	45	4	0.35
MINM 6N 3	3/8"	3/8"	65	25	67	45	4	0.35
MINM 8N 3	1/2"	1/2"	70	28	72	55	4.9	0.65

Dimensions are for reference only and subject to change without notice.

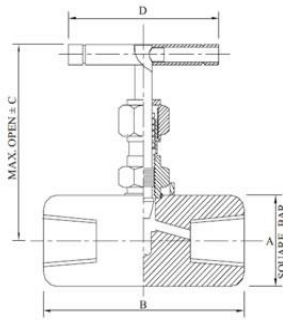
Warning for Your Safety

The system designer and user have the sole responsibility to select products suitable for their special application requirements to ensure the proper installation. Operation and maintenance of the product. Application details, material compatibility and product ratings should all be considered in the individual selection. Improper selection or use of products can cause property damage or personal injury. METALOK accepts no liability for any improper selection, installation, operation or maintenance.



NEEDLE VALVES

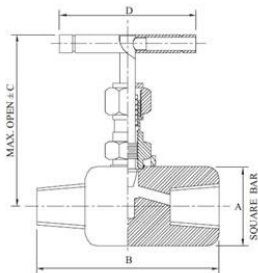
HIGH PRESSURE NEEDLE VALVE, FEMALE X FEMALE,10000 psi



PART No.	SIZE	A1	A2	B	±C	D
MINV/FF/HP/01	1/8"	38	25	55	70	45
MINV/FF/HP/02	1/4"	38	25	55	75	50
MINV/FF/HP/03	3/8"	42	28	60	80	55
MINV/FF/HP/04	1/2"	48	32	65	85	60

For BSP,SOCKET WELD CONNECTION end connection add BSP or SW after the part number, Example FNV/FF/09/BSP
FNV/FF/09/SW

HIGH PRESSURE NEEDLE VALVE, FEMALE X MALE,10000 psi



PART No.	SIZE	A1	A2	B	±C	D
MINV/MF/HP/01	1/8"	38	25	55	70	45
MINV/MF/HP/02	1/4"	38	25	55	75	50
MINV/MF/HP/03	3/8"	42	28	60	80	55
MINV/MF/HP/04	1/2"	48	32	65	85	60

For BSP,SOCKET WELD CONNECTION end connection add BSP or SW after the part number, Example FNV/FF/09/BSP
FNV/FF/09/SW

Dimensions are for reference only and subject to change without notice.

Warning for Your Safety

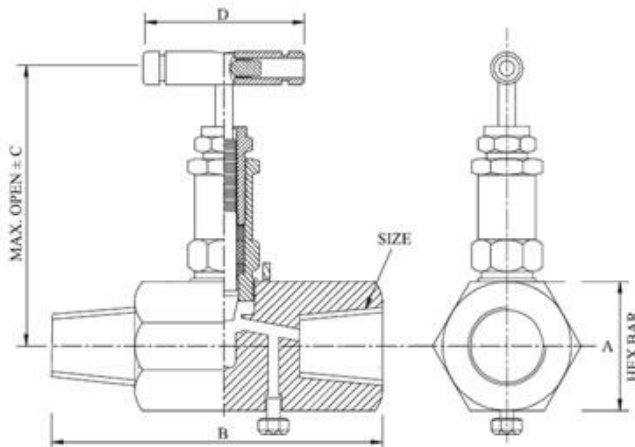
The system designer and user have the sole responsibility to select products suitable for their special application requirements to ensure the proper installation. Operation and maintenance of the product. Application details, material compatibility and product ratings should all be considered in the individual selection. Improper selection or use of products can cause property damage or personal injury. METALOK accepts no liability for any improper selection, installation, operation or maintenance.



NEEDLE VALVES



HEX NEEDLE ,Male X Female 3000 psi,6000 psi and 10000psi



Orifice : 4 mm
 Pressure : up to 6000 psi.
 Temperature: up to 400°c
 All dimension in Millimeter

PART No.	SIZE	A	B	±C	D
MINV/H/MF/01	1/4"	25	60	92	50
MINV/H/MF/02	3/8"	25	65	92	55
MINV/H/MF/03	1/2"	32	80	98	55
MINV/H/MF/04	3/4"	36	80	114	65

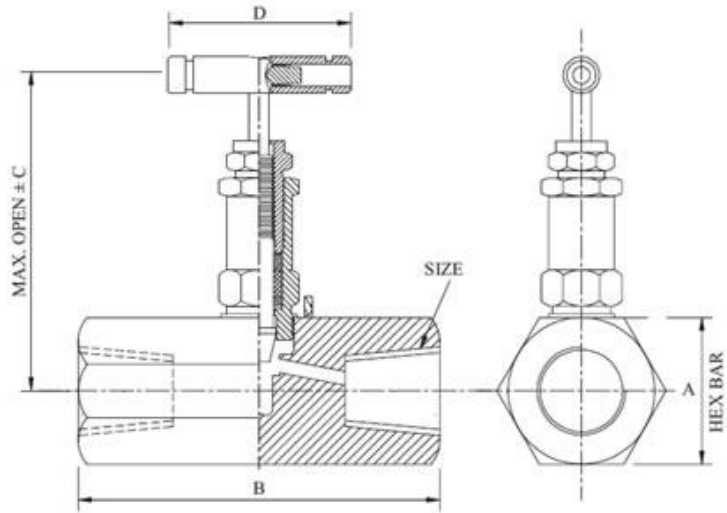
Dimensions are for reference only and subject to change without notice.

Warning for Your Safety

The system designer and user have the sole responsibility to select products suitable for their special application requirements to ensure the proper installation. Operation and maintenance of the product. Application details, material compatibility and product ratings should all be considered in the individual selection. Improper selection or use of products can cause property damage or personal injury. METALOK accepts no liability for any improper selection, installation, operation or maintenance.

NEEDLE VALVES

HEX NEEDLE ,Female X Female 3000 psi,6000 psi and 10000psi



Orifice : 4 mm
 Pressure : up to 6,000 psi.
 Temperature: up to 400°c
 All dimension in Millimeter

PART No.	SIZE	A	B	±C	D
MINV/H/FF/01	1/4"	25	55	92	50
MINV/H/FF/02	3/8"	25	60	92	55
MINV/H/FF/03	1/2"	32	75	98	55
MINV/H/FF/04	3/4"	36	75	114	65

Dimensions are for reference only and subject to change without notice.

Warning for Your Safety

The system designer and user have the sole responsibility to select products suitable for their special application requirements to ensure the proper installation. Operation and maintenance of the product. Application details, material compatibility and product ratings should all be considered in the individual selection. Improper selection or use of products can cause property damage or personal injury. METALOK accepts no liability for any improper selection, installation, operation or maintenance.



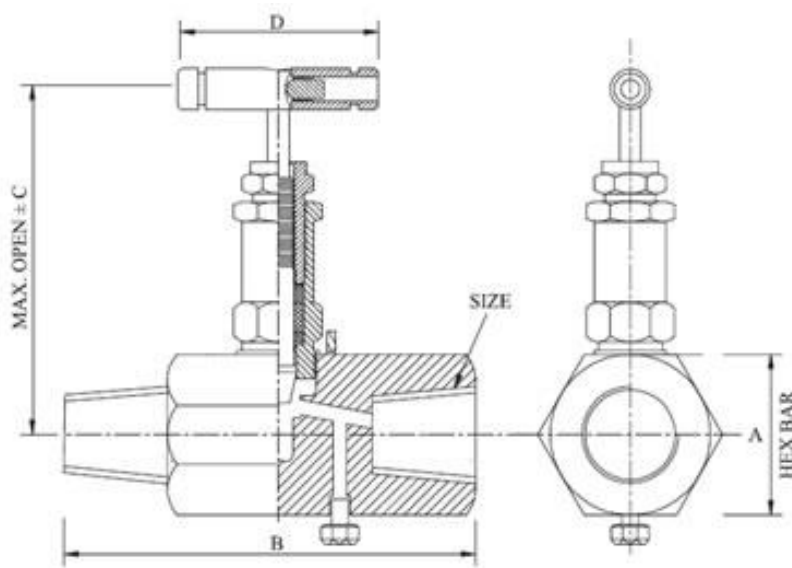
NEEDLE VALVES

HEX NEEDLE VENT TYPE ,Male X Female 6000 psi and 10000psi



M
E
T
A
L
O
K

I
N
D
U
S
T
R
I
E
S



Orifice : 4 mm
Pressure : up to 6000 psi.
Temperature: up to 400°c
All dimension in Millimeter



PART No.	SIZE	A	B	±C	D
MINV/H/MF/01	1/4"	25	60	92	50
MINV/H/MF/02	3/8"	25	65	92	55
MINV/H/MF/03	1/2"	32	80	98	55
MINV/H/MF/04	3/4"	36	80	114	65

Dimensions are for reference only and subject to change without notice.

Warning for Your Safety

The system designer and user have the sole responsibility to select products suitable for their special application requirements to ensure the proper installation. Operation and maintenance of the product. Application details, material compatibility and product ratings should all be considered in the individual selection. Improper selection or use of products can cause property damage or personal injury. METALOK accepts no liability for any improper selection, installation, operation or maintenance.

METALOK INDUSTRIES

sales@metalokindustries.com

NEEDLE VALVES

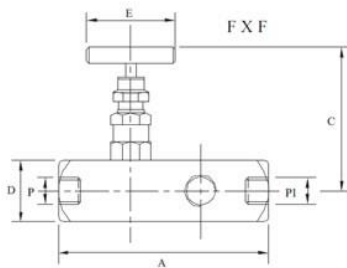
GAUGE VALVE ,BLOCK & BLEED TYPE

6000 psi and 10000psi

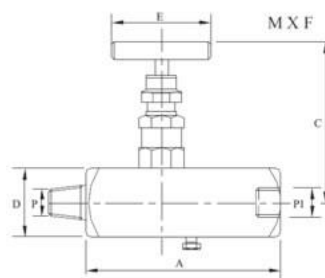


M
E
T
A
L
O
K

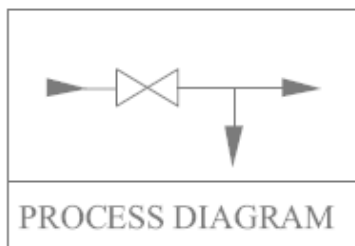
I
N
D
U
S
T
R
I
E
S



Female X Female



Male X Female



Orifice : 4 mm

Approximate Weight : 0.75 kg.

Pressure : up to 6000 psi.

Temperature: up to 400°c

All dimension in Millimeter

PART No.	END CONNECTIONS		DIMENSION			
	P	P1	A	±C	D	E
MIGV/BB/01	1 / 4 " MALE	1/4FEMALE	70	62	25	45
MIGV/BB/02	3/8" MALE	3/8 FEMAE	70	62	25	45
MIGV/BB/03	1/2" MALE	½ FEMALE	83	84	30	55
MIGV/BB/04	3/4" MALE	¾ FEMALE	85	84	38	60
MIGV/BB/05	1/4" FEMALE	¼ FEMALE	70	62	25	45
MIGV/BB/06	3/8" FEMALE	3/8 FEMALE	70	62	25	45
MIGV/BB/07	1/2" FEMALE	½ FEMALE	75	84	30	55

Dimensions are for reference only and subject to change without notice.

Warning for Your Safety

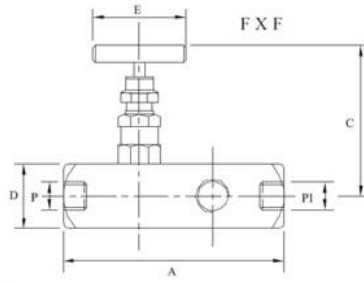
The system designer and user have the sole responsibility to select products suitable for their special application requirements to ensure the proper installation. Operation and maintenance of the product. Application details, material compatibility and product ratings should all be considered in the individual selection. Improper selection or use of products can cause property damage or personal injury. METALOK accepts no liability for any improper selection, installation, operation or maintenance.

METALOK INDUSTRIES

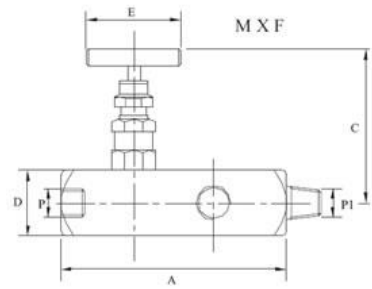
sales@metalokindustries.com

NEEDLE VALVES

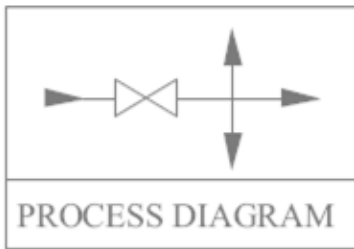
GAUGE VALVE ,MULTIPOINT TYPE 6000 psi and 10000psi



Regular Length



Extended Length



Orifice : 4 mm
 Approximate Weight : 0.90 kg.
 Pressure : up to 6000 psi.
 Temperature: up to 400°C
 All dimension in Millimeter

PART No.	END CONNECTIONS		DIMENSION			
	P	P1	A	±C	D	E
MIGV/MP/05	1/4" FEMALE	1/4" FEMALE	90	62	22	40
MIGV/MP/06	1/2" FEMALE	1/2" FEMALE	115	84	30	55
MIGV/MP/07	1/2" FEMALE	1/2" EXTEND ED	215	84	30	55
MIGV/MP/08	3/4" FEMALE	3/4" EXTEND ED	215	84	38	55
MIGV/MP/01	1/2" MALE	1/2" FEMALE	115	84	30	55
MIGV/MP/02	1/2" MALE	3/4" FEMALE	115	84	30	55
MIGV/MP/03	3/4" MALE	3/4" FEMALE	115	84	38	55
MIGV/MP/04	3/4" MALE	1/2" FEMALE	115	84	30	55

Dimensions are for reference only and subject to change without notice.

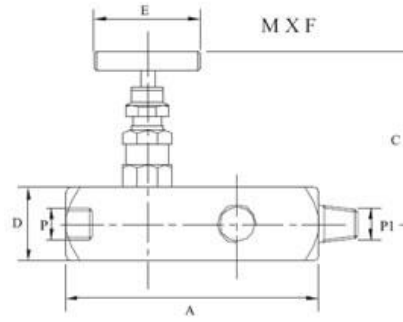
Warning for Your Safety

The system designer and user have the sole responsibility to select products suitable for their special application requirements to ensure the proper installation. Operation and maintenance of the product. Application details, material compatibility and product ratings should all be considered in the individual selection. Improper selection or use of products can cause property damage or personal injury. METALOK accepts no liability for any improper selection, installation, operation or maintenance.



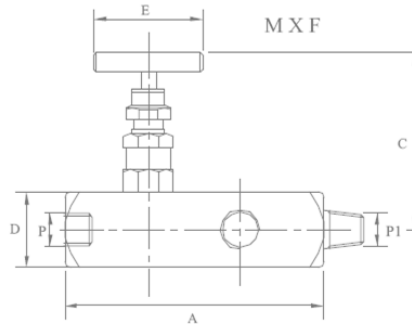
NEEDLE VALVES

GAUGE ROOT VALVE-STANDARD LENGTH 6000 psi and 10000psi



PART No.	END CONNECTIONS		DIMENSION			
	P	P1	A	±C	D	E
MIGVN/MP/05	1/4" FEMALE	1/4" FEMALE	90	62	22	40
MIGVN/MP/06	1/2" FEMALE	1/2" FEMALE	115	84	30	55
MIGVN/MP/07	1/2" FEMALE	1/2" EXTEND ED	215	84	30	55
MIGVN/MP/08	3/4" FEMALE	3/4" EXTEND ED	215	84	38	55
MIGVN/MP/01	1/2" MALE	1/2" FEMALE	115	84	30	55
MIGVN/MP/02	1/2" MALE	3/4" FEMALE	115	84	30	55
MIGVN/MP/03	3/4" MALE	3/4" FEMALE	115	84	38	55
MIGVN/MP/04	3/4" MALE	1/2" FEMALE	115	84	30	55

GAUGE ROOT VALVE-EXTRA LONG LENGTH 6000 psi and 10000psi



PART No.	END CONNECTIONS		DIMENSION			
	P	P1	A	±C	D	E
MIGVR/BB/01	1 / 4 " MALE	1/4: FEMALE	70	62	25	45
MIGVR/BB/02	3/8" MALE	3/8" FEMALE	70	62	25	45
MIGVR/BB/03	1/2" MALE	1/2" FEMALE	83	84	30	55
MIGVR/BB/04	3/4" MALE	3/4" FEMALE	85	84	38	60
MIGVR/BB/05	1/4" FEMALE	1/4" FEMALE	70	62	25	45
MIGVR/BB/06	3/8" FEMALE	3/8" FEMALE	70	62	25	45
MIGVR/BB/07	1/2" FEMALE	1/2" FEMALE	75	84	30	55

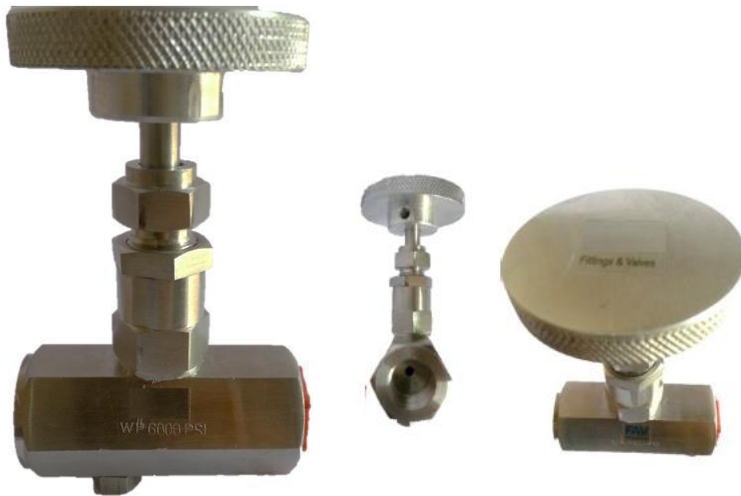


NEEDLE VALVES



FLOW CONTROL VALVE

Female X Female .Up to 6000 psi



PART No.	SIZE NPT/ BSP
MIFCV/H/FF/01	1/4 "
MIFCV/H/FF/02	3/8 "
MIFCV/H/FF/03	1/2 "
MIFCV/H/FF/04	3/4"

FLOW CONTROL VALVE

Mlale X Female .Upto 6000 psi

Option of T shaped Handle also Available



PART No.	SIZE NPT/ BSP
MIFCV/H/MF/01	1/4 "
MIFCV/H/MF/02	3/8 "
MIFCV/H/MF/03	1/2 "
MIFCV/H/MF/04	3/4"

NEEDLE VALVES

FORGED BODY NEEDLE VALVE



FORGED BODY Y TYPE NEEDLE VALVE

PART No.	SIZE NPT/ BSP
MIBY/H/FF/01	1/4 "
MIBY/H/FF/02	3/8 "
MIBY/H/FF/03	1/2 "
MIBY/H/FF/04	3/4"

FORGED BODY STRAIGHT TYPE NEEDLE VALVE WITH HANDWHEEL



PART No.	SIZE NPT/ BSP
MIBS/H/FF/01	1/4 "
MIBS/H/FF/02	3/8 "
MIBS/H/FF/03	1/2 "
MIBS/H/FF/04	3/4"

Option of T shaped Handle also Available



FLANGED BODY STRAIGHT TYPE NEEDLE VALVE WITH HANDWHEEL

Made as per users Specification





NEEDLE TYPE GLOBE VALVE



PART No.	SIZE NPT/ BSP
MIGBV/H/FF/01	1/4 "
MIGBV/H/FF/02	3/8 "
MIGBV/H/FF/03	1/2 "
MIGBV/H/FF/04	3/4"
MIGBV/H/FF/05	1"
MIGBV/H/FF/06	1 1/4 "
MIGBV/H/FF/07	1 1/2 "
MIGBV/H/FF/08	2"

NEEDLE TYPE GATE VALVE



PART No.	SIZE NPT/ BSP
MIGTV/H/FF/01	1/4 "
MIGTV/H/FF/02	3/8 "
MIGTV/H/FF/03	1/2 "
MIGTV/H/FF/04	3/4"
MIGTV/H/FF/05	1"
MIGTV/H/FF/06	1 1/4 "
MIGTV/H/FF/07	1 1/2 "
MIGTV/H/FF/08	2"

NEEDLE TYPE GATE VALVE, DOUBLE FERRULE COMPRESSION



PART No.	SIZE NPT/ BSP
MICGV/H/FF/01	1/4 "
MICGV/H/FF/02	3/8 "
MICGV/H/FF/03	1/2 "
MICGV/H/FF/04	3/4"
MICGV/H/FF/05	1"
MICGV/H/FF/06	1 1/4 "
MICGV/H/FF/07	1 1/2 "
MICGV/H/FF/08	2"



Our Total customer satisfaction results in A True Partnership.



CUSTOMER BASE

More than three decades of experience, expertise and dedication ensures world class quality and excellent performance of METALOK products resulted in establishing worldwide customer base.

GRATITUDE

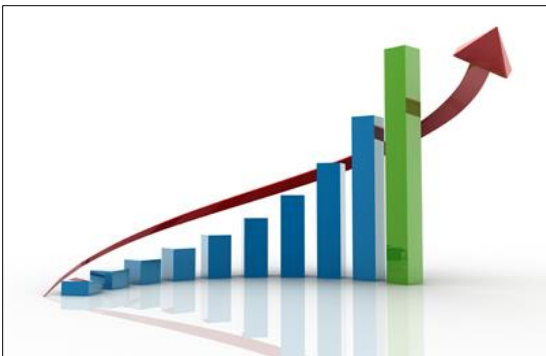
We at METALOK always appreciated and thankful to all our Valued Customers for undaunted support and faith reposed on us which motivates us to perform better all the time

EDGE

Our in-house Design, manufacturing and Testing facilities only emphasizes that METALOK Fitting and Valves are one of the Best, versatile, safe, compatible, easy for installation and operation in Instrumentation, Hydraulic and Industrial applications.

OUR GOAL

Our company's vision is to understand our customers requirements and meet them fully to their entire satisfaction by way of high quality, timely delivery, competitive price and prompt service.





www.metalokindustries.com



METALOK INDUSTRIES

(AN ISO 9001: 2008 Certified Company)

Regd Office & Unit : G-16 & 21, Nikisha Industrial Estate , Near Pandurang wadi, Western Express Highway, Mira Road East, Thane 401 107.

+91 22 28453235

+91 9869552950 (Hassan Shaikh)

+91 9892277161 (Rehan Shaikh)



metalokindustries@gmail.com

sales@metalokindustries.com

metalok@live.com



www.metalokindustries.com



METALOK INDUSTRIES

sales@metalokindustries.com