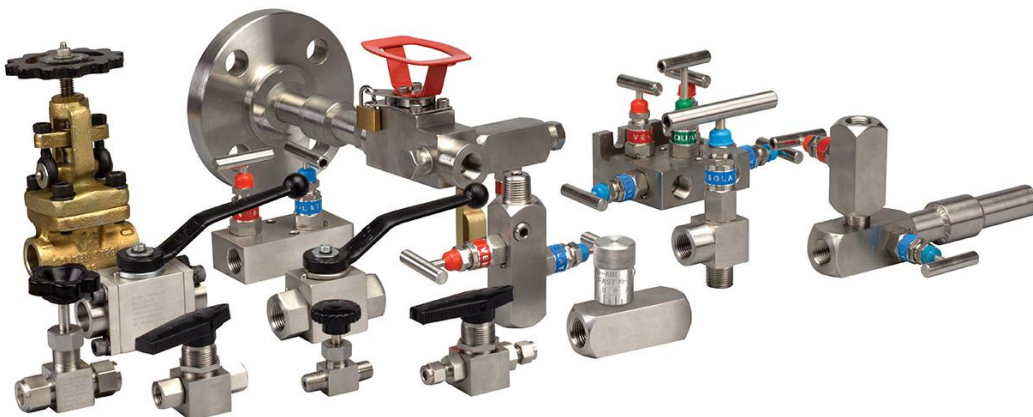




METALOK INDUSTRIES
(AN ISO 9001: 2008 Certified Company)

**Manufacturer of wide range of
Fittings and Valves
For Instrumentation, Hydraulic
& Precise Industrial Applications**



METALOK INDUSTRIES

sales@metalokindustries.com



M
E
T
A
L
O
K

I
N
D
U
S
T
R
I
E
S



M
E
T
A
L
O
K

I
N
D
U
S
T
R
I
E
S

METALOK HYDRAULIC VALVE



Dimensions are for reference only and subject to change without notice.

Warning for Your Safety

The system designer and user have the sole responsibility to select products suitable for their special application requirements to ensure the proper installation. Operation and maintenance of the product. Application details, material compatibility and product ratings should all be considered in the individual selection. Improper selection or use of products can cause property damage or personal injury. METALOK accepts no liability for any improper selection, installation, operation or maintenance.

METALOK INDUSTRIES

sales@metalokindustries.com



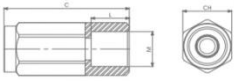
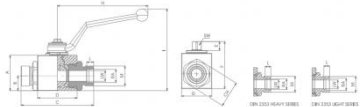
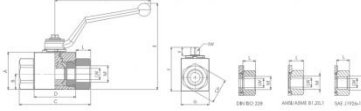
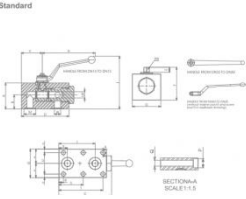

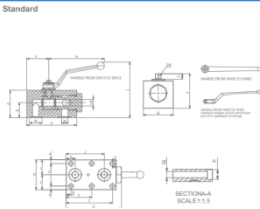
 <p>1</p>	<p>Standard</p>  <p>2</p>	<p>Light & Heavy Series</p>  <p>3</p>
<p>High Pressure Ball Valve</p>	<p>3 Way High Pressure Ball Valve</p>	<p>3 Way High Pressure Ball Valve</p>
 <p>4</p>	<p>Standard</p>  <p>5</p>	<p>Ball Valves</p>  <p>6</p>
<p>Ball Valve with split connection</p>	<p>High Pressure Ball Valve With Flange Split Connection</p>	<p>Ball Valves</p>
 <p>7</p>	<p>Dimensions DVP Manifold Mount Needle Valve</p>  <p>8</p>	 <p>9</p>
<p>Flow Control Valves Direct Acting and with Reverse Check Manifold Mounted</p>	<p>Manifold Mount Needle Valve</p>	<p>Flow Control Valves and Flow Control Valves with reverse flow check</p>
<p>Dimensions DRV Series</p>  <p>10</p>	 <p>11</p>	<p>Dimensions DRVP Series</p>  <p>12</p>
<p>Flow Control Valve</p>	<p>Flow Control Valves Direct Acting and with Reverse Check Manifold Mounted- 350 bar</p>	<p>Flow Control Valve with Manifold Valve</p>
 <p>13</p>	 <p>14</p>	 <p>15</p>
<p>Flow Control Valve</p>	<p>Flow Control Valve</p>	<p>Inline High Pressure Check Valves</p>

Dimensions are for reference only and subject to change without notice.

Warning for Your Safety

The system designer and user have the sole responsibility to select products suitable for their special application requirements to ensure the proper installation. Operation and maintenance of the product. Application details, material compatibility and product ratings should all be considered in the individual selection. Improper selection or use of products can cause property damage or personal injury. METALOK accepts no liability for any improper selection, installation, operation or maintenance.



 <p>CV DIN ISO 228 BSP Standard</p>	<p>Light & Heavy Series</p> 	<p>Standard</p> 
<p>16</p>	<p>17</p>	<p>18</p>
<p>High Pressure Check Valves</p>	<p>3 Way High Pressure Ball Valve</p>	<p>3 Way High Pressure Ball Valve</p>
 <p>Standard</p>		 <p>Standard</p>
<p>19</p>	<p>20</p>	<p>21</p>
<p>Manifold Block Mounting High Pressure Ball Valves</p>	<p>Manifold Block Mounting High Pressure Ball Valves</p>	<p>Manifold Block Mounting High Pressure Ball Valves</p>

Dimensions are for reference only and subject to change without notice.

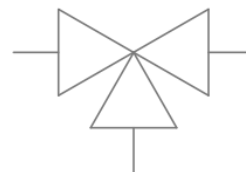
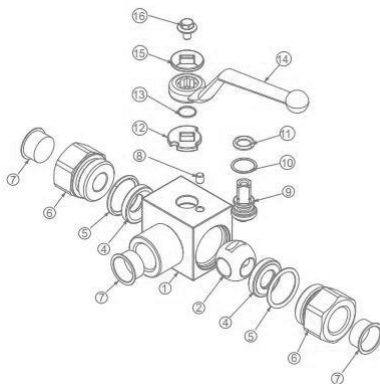
Warning for Your Safety

The system designer and user have the sole responsibility to select products suitable for their special application requirements to ensure the proper installation. Operation and maintenance of the product. Application details, material compatibility and product ratings should all be considered in the individual selection. Improper selection or use of products can cause property damage or personal injury. METALOK accepts no liability for any improper selection, installation, operation or maintenance.



METALOK HYDRAULIC VALVES

High Pressure Ball Valve



Specifications

- Type: ball valve FHB2SF 2way
- Body: block
- Material : 1,0737
- Ball seats: from DN13 up to DN25
- O -Rings: NBR, FFM,EPDM,MVQ
- Operating pressure: S3000 (PN210) S6000 (PN420) depending on valve
- T emp. range: -10 C to +100 C depending ° ° on seal material selected size and seal materials selected

On request

- Reduced bore
- O-Ring in EPDM, FFFM, MQV
- Seals in PEEF, P A612, RPTFE, GEMPTFE
- Special Threads
- Stem in stainless steel 1,4404
- Ball in stainless steel 1,4404
- Pressure Class PN 100 to PN 420
- Pneumatic and electrical actuator
- Locking device

Nos.	Description	Material	Q.ta
1	Body	10737	1
2	Ball	10737	1
3	Ball seat	POM	2
4	Adapter o-ring	NBR	2
5	Adapter	10737	2
6	Caps	PVC	3
7	Spine	10737	1
8	Stem	10737	1
9	Stem ring	POM	1
10	Stem o-ring	NBR	1
11	Washer	10116	1
12	Seeger	14301	1
13	Washer	10116	1
14	Handle	ZINC	1
15	Screw	Din 6921 8.8	1

Dimensions are for reference only and subject to change without notice.

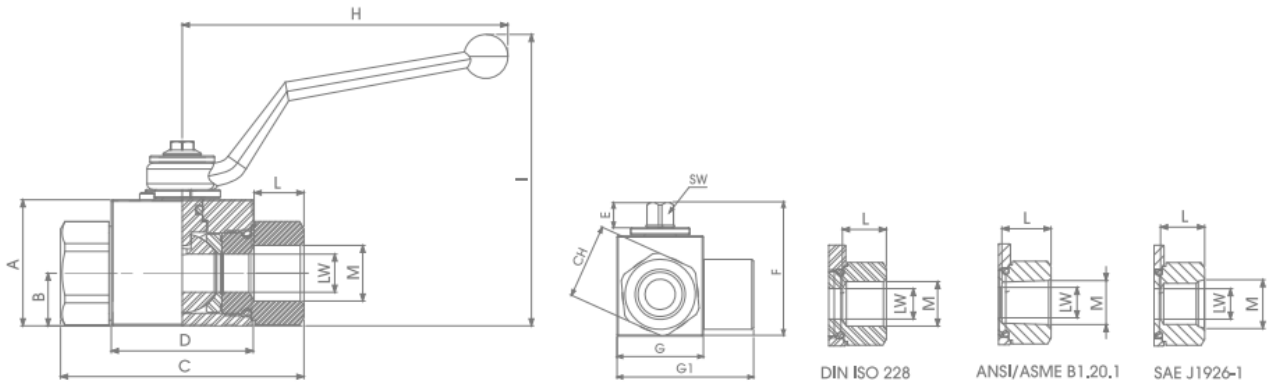
Warning for Your Safety

The system designer and user have the sole responsibility to select products suitable for their special application requirements to ensure the proper installation. Operation and maintenance of the product. Application details, material compatibility and product ratings should all be considered in the individual selection. Improper selection or use of products can cause property damage or personal injury. METALOK accepts no liability for any improper selection, installation, operation or maintenance.

3 Way High Pressure Ball Valve



Standard



Type	PN	DN	A	B	C	D	E	F	G	G1	H	I	L	M	CH	SW	LW	Weight Fg
MIH3 G 1/8	400 Bar	4	35	14	71	42	11	49	30	48	110	91	11	G 1/8 "	24	9	9	0,558
MIH3 G 1/4	400 Bar	6	35	14	71	42	11	49	30	48	110	91	11.5	G 1/4 "	24	9	9	0,536
MIH3 G 3/8	400 Bar	10	40	17	73	44	11	54	35	54	110	96	11.5	G 3/8 "	30	9	9	0,695
MIH3 G 1/2	350 Bar	13	43	18	83	48	11	57	37	58	110	99	17	G 1/2 "	32	9	9	0,825
MIH3 G 3/4	350 Bar	20	55	23	95	62	14	73	45	75	180	106	21	G 3/4 "	41	14	14	1,583
MIH3 G 1"	350 Bar	25	65	29	112	66	14	83	55	87	180	116	24	G 1 "	50	14	14	2,421
MIH3 G 1" 1/4 R	350 Bar	25	65	29	120	66	14	83	55	87	180	116	24	G 1"1/4	55	14	14	2,601
MIH3 G 1" 1/2 R	350 Bar	25	65	29	124	66	14	83	55	87	180	116	24	G 1"1/2	60	14	14	2,756

Type	PN	DN	A	B	C	D	E	F	G	G1	H	I	L	M	CH	SW	LW	Weight Fg
MIH3 N 1/8	400 Bar	4	35	14	71	42	11	49	30	48	110	91	11	N 1/8 "	24	9	4	0,558
MIH3 N 1/4	400 Bar	6	35	14	71	42	11	49	30	48	110	91	11.5	N 1/4 "	24	9	6	0,536
MIH3 N 3/8	400 Bar	10	40	17	73	44	11	54	35	54	110	96	11.5	N 3/8 "	30	9	10	0,695
MIH3 N 1/2	350 Bar	13	43	18	83	48	11	57	37	58	110	99	17	N 1/2 "	32	9	13	0,825
MIH3 N 3/4	350 Bar	20	55	23	95	62	14	73	45	75	180	106	21	N 3/4 "	41	14	20	1,583
MIH3 N 1"	350 Bar	25	65	29	112	66	14	83	55	87	180	116	24	N 1 "	50	14	25	2,421
MIH3 N 1" 1/4 R	350 Bar	25	65	29	120	66	14	83	55	87	180	116	24	N 1"1/4	55	14	25	2,601
MIH3 N 1" 1/2 R	350 Bar	25	65	29	124	66	14	83	55	87	180	116	24	N 1"1/2	60	14	25	2,756

Type	PN	DN	A	B	C	D	E	F	G	G1	H	I	L	M	CH	SW	LW	Weight Fg
MIH3 SAE4	400 Bar	6	35	14	71	42	11	49	30	48	110	91	11.5	7/16 UNMI	24	9	6	0,536
MIH3 SAE6	400 Bar	10	40	17	73	44	11	54	35	54	110	96	11.5	9/16 UNMI	30	9	10	0,695
MIH3 SAE8	350 Bar	13	43	18	83	48	11	57	37	58	110	99	17	3/4 UNMI	32	9	13	0,825
MIH3 SAE12	350 Bar	20	55	23	95	62	14	73	45	75	180	106	21	1"1/16 UN	41	14	20	1,583
MIH3 SAE16	350 Bar	25	65	29	112	66	14	83	55	87	180	116	23	1"5/16 UN	50	14	25	2,421
MIH3 SAE20R	350 Bar	25	65	29	120	66	14	83	55	87	180	116	23	1"5/8 UN	55	14	25	2,601
MIH3 SAE20R	350 Bar	25	65	29	124	66	14	83	55	87	180	116	23	1"7/8 UN	60	14	25	2,756

Dimensions are for reference only and subject to change without notice.

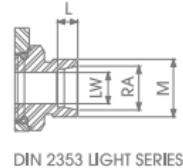
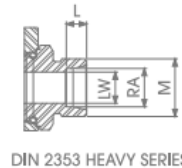
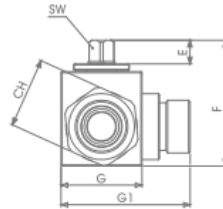
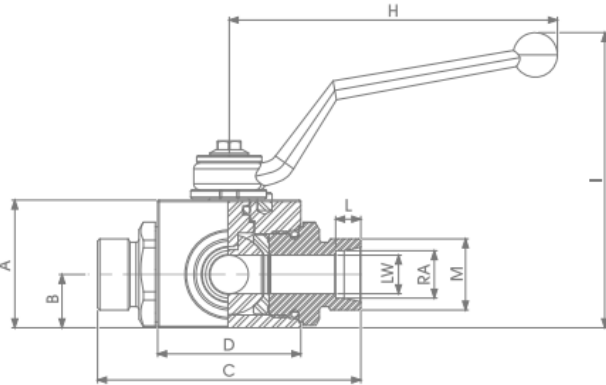
Warning for Your Safety

The system designer and user have the sole responsibility to select products suitable for their special application requirements to ensure the proper installation. Operation and maintenance of the product. Application details, material compatibility and product ratings should all be considered in the individual selection. Improper selection or use of products can cause property damage or personal injury. METALOK accepts no liability for any improper selection, installation, operation or maintenance.

3 Way High Pressure Ball Valve



Light & Heavy Series



DIN 2353 HEAVY SERIES

DIN 2353 LIGHT SERIES

Type	PN	DN	A	B	C	D	E	F	G	G1	H	I	L	M	CH	SW	LW	Weight Fg
Mlh3 6L	400 Bar	6	35	14	76	42	11	49	30	48	110	91	7	12X1.5	24	9	6	0,53
Mlh3 8L	400 Bar	6	35	14	76	42	11	49	30	48	110	91	7	14X1.5	24	9	8	0,532
Mlh3 10L	400 Bar	10	40	17	76	44	11	54	35	54	110	96	7	16X1.5	30	9	10	0,633
Mlh3 12L	400 Bar	10	40	17	79	44	11	54	35	54	110	96	7	18X1.5	30	9	12	0,665
Mlh3 15L	350 Bar	13	43	18	87	48	11	57	37	59	110	99	7	22X1.5	32	9	15	0,722
Mlh3 18L	350 Bar	13	43	18	87	48	11	57	37	59	110	99	7.5	26X1.5	32	9	18	0,861
Mlh3 22L	350 Bar	20	55	23	110	62	14	73	45	75	180	106	7.5	30X2	41	14	22	1,639
Mlh3 28L	350 Bar	25	65	29	117	66	14	83	55	87	180	116	7.5	36X2	50	14	28	2,361
Mlh3 35L	350 Bar	25	65	29	119	66	14	83	55	87	180	116	10.5	45X2	50	14	35	2,361
Mlh3 42L	350 Bar	25	65	29	119	66	14	83	55	87	180	116	11	52X2	50	14	42	2,456

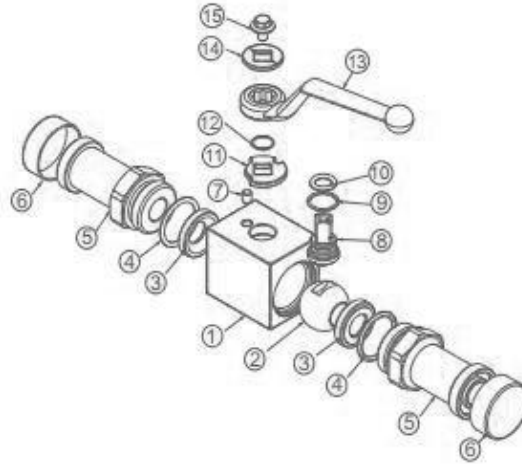
Type	PN	DN	A	B	C	D	E	F	G	G1	H	I	L	M	CH	SW	LW	Weight Fg
Mlh3 8S	400 Bar	4	35	14	76	42	11	49	30	48	110	91	7	12X1.5	24	9	8	0,53
Mlh3 10S	400 Bar	6	35	14	76	42	11	49	30	48	110	91	7.5	14X1.5	24	9	10	0,532
Mlh3 12S	400 Bar	10	40	17	76	44	11	54	35	54	110	96	7.5	16X1.5	30	9	12	0,633
Mlh3 14S	400 Bar	10	40	17	82	44	11	54	35	54	110	96	8	18X1.5	30	9	14	0,665
Mlh3 16S	350 Bar	13	43	18	89	48	11	57	37	59	110	99	8.5	22X1.5	32	9	16	0,722
Mlh3 20S	350 Bar	13	43	18	93	48	11	57	37	59	110	99	10.5	26X1.5	32	9	20	0,861
Mlh3 25S	350 Bar	20	55	23	111	62	14	73	45	75	180	106	12	30X2	41	14	25	1,639
Mlh3 30S	350 Bar	25	65	29	121	66	14	83	55	87	180	116	13	36X2	50	14	30	2,361
Mlh3 38S	350 Bar	25	65	29	131	66	14	83	55	87	180	116	16	45X2	55	14	38	2,655

Dimensions are for reference only and subject to change without notice.

Warning for Your Safety

The system designer and user have the sole responsibility to select products suitable for their special application requirements to ensure the proper installation. Operation and maintenance of the product. Application details, material compatibility and product ratings should all be considered in the individual selection. Improper selection or use of products can cause property damage or personal injury. METALOK accepts no liability for any improper selection, installation, operation or maintenance.

Ball Valve with split connection



Specifications

- Type: ball valve FHB2SF 2way
- Body: block
- Material : 1,0737
- Ball seats: from DN13 up to DN25
- O -Rings: NBR, FFM,EPDM,MVQ
- Operating pressure: S3000 (PN210) S6000 (PN420) depending on valve
- T emp. range: -10 C to +100 C depending ° ° on seal material selected
- size and seal materials selected

On request

- Reduced bore
- O-Ring in EPDM, FFFM, MQV
- Seals in PEEF, P A612, RPTFE, GEMPTFE
- Special Threads
- Stem in stainless steel 1,4404
- Ball in stainless steel 1,4404
- Pressure Class PN 100 to PN 420
- Pneumatic and electrical actuator
- Locking device

Nos.	Description	Material	Q.ta
1	Body	10737	1
2	Ball	10737	1
3	Ball seat	POM	2
4	Adapter o-ring	NBR	2
5	Adapter	10737	2
6	Caps	PVC	2
7	Spine	10737	1
8	Stem	10737	1
9	Stem ring	POM	1
10	Stem o-ring	NBR	1
11	Washer	10116	1
12	Seeger	14301	1
13	Handle	ZINC	1
14	Washer	10116	1
15	Screw	Din 6921 8.8	1

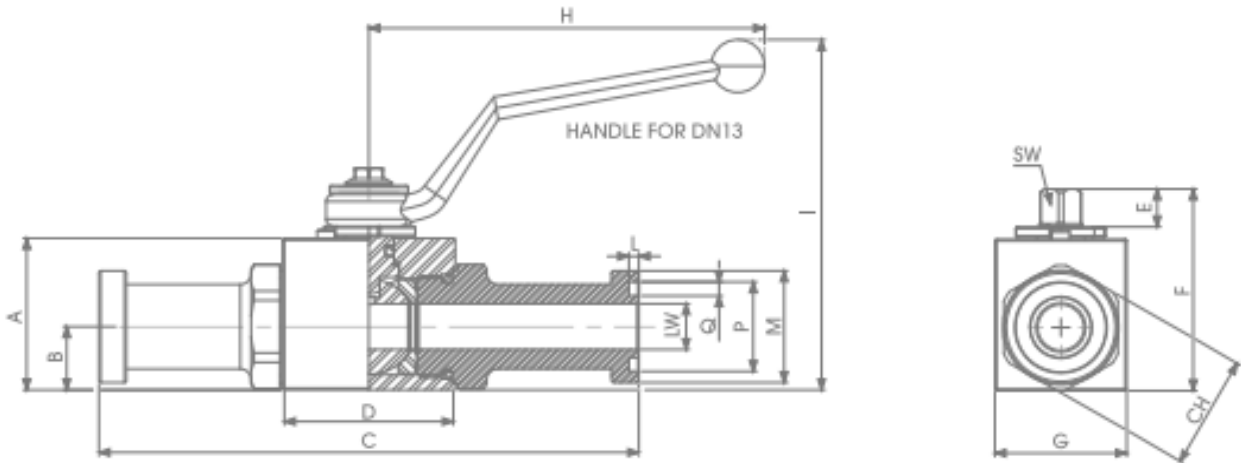
Dimensions are for reference only and subject to change without notice.

Warning for Your Safety

The system designer and user have the sole responsibility to select products suitable for their special application requirements to ensure the proper installation. Operation and maintenance of the product. Application details, material compatibility and product ratings should all be considered in the individual selection. Improper selection or use of products can cause property damage or personal injury. METALOK accepts no liability for any improper selection, installation, operation or maintenance.

High Pressure Ball Valve With Flange Split Connection

Standard



M
E
T
A
L
O
K

I
N
D
U
S
T
R
I
E
S

Type	PN	DN	A	B	C	D	E	F	G	H	I	L	M	CH	P	Q	SW	LW	Weight Fg
MIHB2SF	400 Bar	13	43	18	151	48.4	11	57	37	110	99	2.79	30.2	32	25.4	3.94	9	13	0.96
MIHB2SF	400 Bar	20	55	23	162	62.5	14	73.5	45	180	106	2.79	38.1	41	31.75	3.94	14	20	0.717
MIHB2SF	400 Bar	25	65	29.5	178	66.5	14	83.5	55	180	116	2.79	44.4	50	39.2	3.94	14	25	2.597

Type	PN	DN	A	B	C	D	E	F	G	H	I	L	M	N	CH	P	Q	SW	LW	Weight Fg
MIHBA3	350 Bar	32	93	46	190.5	75	13.5	111.5	98	300	120.5	2.79	50.8	88	60	44.45	3.94	17	32	5,429
MIHBA3	350 Bar	40	107	53	230.5	85	13.5	125.5	113	300	134.5	2.79	60.26	102	75	53.67	3.94	17	40	8,265
MIHBA3	350 Bar	50	114	57	232	98	13.5	132.5	123	300	141.5	2.79	71.4	118	85	63.25	3.94	17	50	9,865

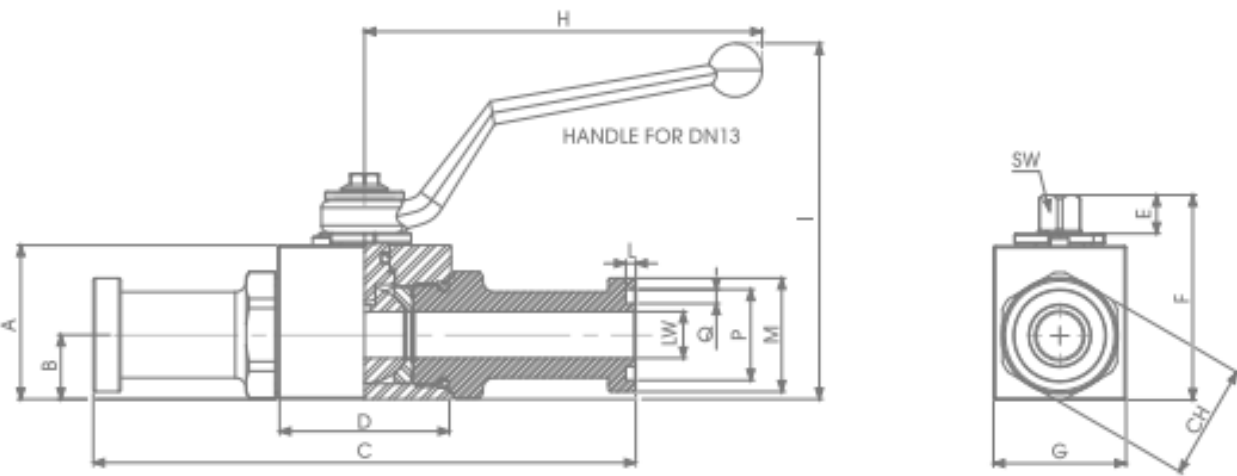
Dimensions are for reference only and subject to change without notice.

Warning for Your Safety

The system designer and user have the sole responsibility to select products suitable for their special application requirements to ensure the proper installation. Operation and maintenance of the product. Application details, material compatibility and product ratings should all be considered in the individual selection. Improper selection or use of products can cause property damage or personal injury. METALOK accepts no liability for any improper selection, installation, operation or maintenance.



Ball Valves



Type	PN	DN	A	B	C	D	E	MI	G	H	I	L	M	CH	P	Q	SW	LW	Weight Fg
MIHBA6	500 Bar	13	43	18	151.5	48.4	11	57	37	110	99.5	2.79	31,6	32	25,4	3,94	9	13	0,956
MIHBA6	500 Bar	20	55	23.4	174	62.5	14	73.5	45	180	106.5	2.79	41,3	41	31,75	3,94	14	20	1,792
MIHBA6	500 Bar	25	65	29.5	198	66.5	14	83.5	55	180	116.5	2.79	47,8	50	39,2	3,94	14	25	2,759

Type	PN	DN	A	B	C	D	E	F	G	H	I	L	M	N	CH	P	Q	SW	LW	Weight Fg
MIHBA6	400 Bar	32	93	46,5	223	75	13.5	111,5	98	300	120,5	2,79	50,8	88	60	44,45	3,94	17	32	5,828
MIHBA6	400 Bar	40	107	53,5	281	85	13.5	125,5	113	300	134,5	2,79	60,26	102	75	53,67	3,94	17	40	8,251
MIHBA6	400 Bar	50	114	57	316	98	13.5	132,5	132.5	300	141,5	2,79	71,4	118	85	63,25	3,94	17	50	11,774

Dimensions are for reference only and subject to change without notice.

Warning for Your Safety

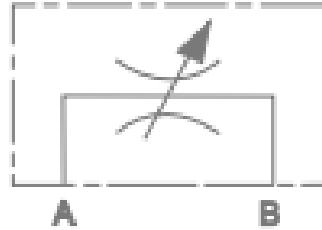
The system designer and user have the sole responsibility to select products suitable for their special application requirements to ensure the proper installation. Operation and maintenance of the product. Application details, material compatibility and product ratings should all be considered in the individual selection. Improper selection or use of products can cause property damage or personal injury. METALOK accepts no liability for any improper selection, installation, operation or maintenance.

Flow Control Valves Direct Acting and with Reverse Check Manifold Mounted

Carbon Steel



DVP



Up to 350 bar

Up to 300 l/min

Dimensions are for reference only and subject to change without notice.

Warning for Your Safety

The system designer and user have the sole responsibility to select products suitable for their special application requirements to ensure the proper installation. Operation and maintenance of the product. Application details, material compatibility and product ratings should all be considered in the individual selection. Improper selection or use of products can cause property damage or personal injury. METALOK accepts no liability for any improper selection, installation, operation or maintenance.

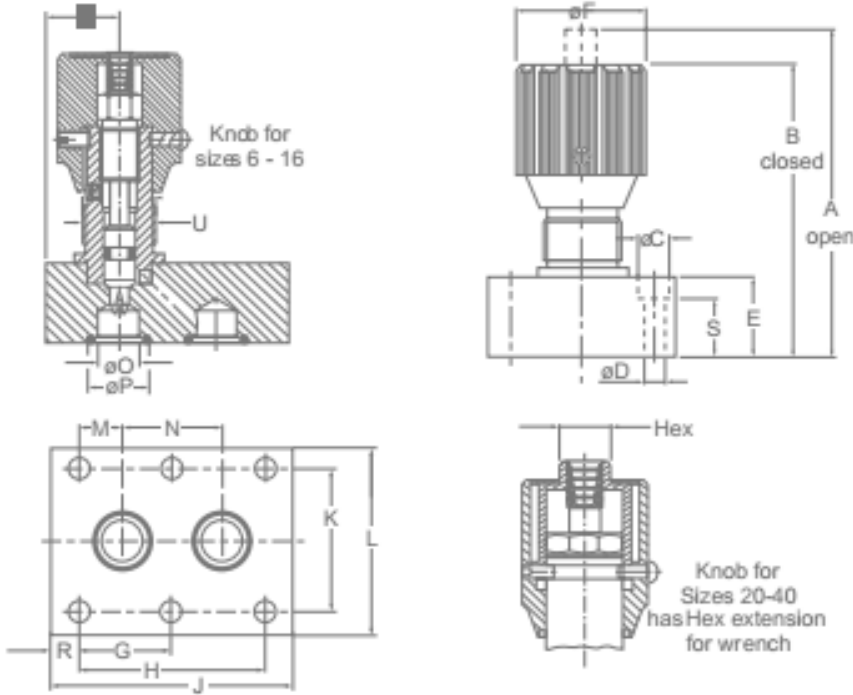


Manifold Mount Needle Valve



Dimensions

DVP Manifold Mount Needle Valve



Model Code	Nom Size	A	B	C	F	E	MI	G	H	J	K	L	M	N	O	P	R	S	T	Hex	wt
MIVP-06	1/8"	63	58	11	6.6	16	24	17	19	35	28.5	41.5	1.5	16	5	9.7	8	9	9.5	12	0.2
MIVP-08	1/4"	79	72	11	6.6	20	29	20	35	47.5	33.5	46	4.5	25.5	7	12.7	6.5	13	12	12	0.4
MIVP-10	3/8"	84	77	11	6.6	25	29	27	33.5	51	38	51	4.2	25.5	10	15.6	8.5	18	14	12	0.6
MIVP-12	1/2"	99	89	11	6.6	25	38	37	38	75	44.5	57.5	4	30	13	18.6	18.5	18	22.5	12	1
MIVP-16	3/4"	113	103	14	9	30	38	38	76	93.5	54	70	11	54	17	24.5	8.5	21	19.5	12	1.7
MIVP-20	1"	165	148	14	9	45	49	47.5	95	111	60	76.5	19.1	57	22	30.5	8	36	31.5	19	3.6
MIVP-25	1 1/4"	165	148	14	11.5	45	49	60	120.5	143	76	100	20.8	79.5	28.5	37.4	11	34	46	19	5.5
MIVP-30	1 1/2"	170	153	14	14	50	49	71.5	143	171	92	115	23.8	95	35	43.4	15	37	36	19	7.5

SizeCode	A	B	C	F	E	MI	G	H	HEX	WT
MIVP-08	26	47	40	12	4.5	14.2	29	3/4-16UNMI	27	0.15
MIVP-10	30	64	54	12.5	8	15.8	38	7/8-14UNMI	27	0.25
MIVP-12	40	65	55	13.5	9.5	20.5	38	1-1/16-12UNMI	32	0.5
MIVP-16	43.5	65	56	17.5	11	26.9	38	1-5/16-12UNMI	41	0.7

Dimensions are for reference only and subject to change without notice.

Warning for Your Safety

The system designer and user have the sole responsibility to select products suitable for their special application requirements to ensure the proper installation. Operation and maintenance of the product. Application details, material compatibility and product ratings should all be considered in the individual selection. Improper selection or use of products can cause property damage or personal injury. METALOK accepts no liability for any improper selection, installation, operation or maintenance.

Flow Control Valves and Flow Control Valves with reverse flow check



Carbon Steel



Dimensions are for reference only and subject to change without notice.

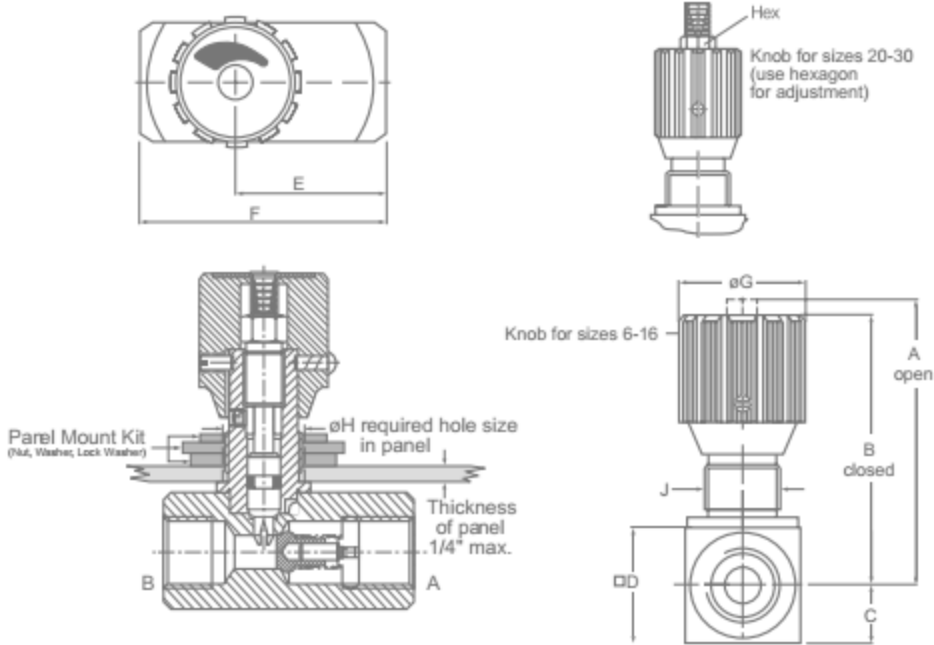
Warning for Your Safety

The system designer and user have the sole responsibility to select products suitable for their special application requirements to ensure the proper installation. Operation and maintenance of the product. Application details, material compatibility and product ratings should all be considered in the individual selection. Improper selection or use of products can cause property damage or personal injury. METALOK accepts no liability for any improper selection, installation, operation or maintenance.

Flow Control Valve



Dimensions DRV Series



Model Code	Port Size NPTF	A	B	C	F	E	F	G	H	HEX	WEIGHT
MIRV-06	1/8"	55	50	8	16	26	45	24	13	12	12
MIRV-08	1/4"	72	65	12	25	33.5	55	29	19	12	12
MIRV-10	3/8"	74	67	15	30	41	65	29	19	12	12
MIRV-12	1/2"	92	82	17	35	44	73	38	23	12	12
MIRV-16	3/4"	106	96	22	45	57	88	38	23	12	12
MIRV-20	1"	145	128	25	50	77	127	49	38	19	19
MIRV-25	1-1/4"	150	133	30	60	93	143	49	38	19	19
MIRV-30	1-1/2"	155	138	35	70	108	143	49	38	19	19

Dimensions are for reference only and subject to change without notice.

Warning for Your Safety

The system designer and user have the sole responsibility to select products suitable for their special application requirements to ensure the proper installation. Operation and maintenance of the product. Application details, material compatibility and product ratings should all be considered in the individual selection. Improper selection or use of products can cause property damage or personal injury. METALOK accepts no liability for any improper selection, installation, operation or maintenance.

Flow Control Valves Direct Acting and with Reverse Check Manifold Mounted– 350 bar



FRVP 06 to 40

Carbon Steel

FRVP



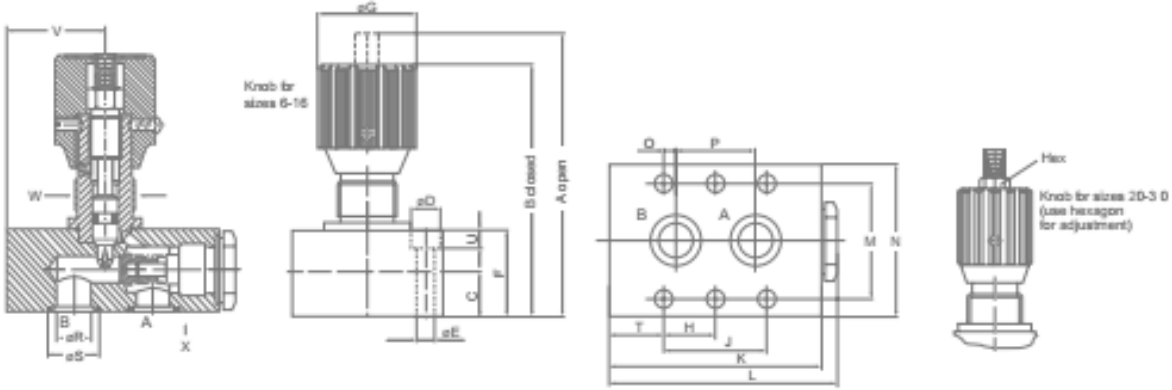
Dimensions are for reference only and subject to change without notice.

Warning for Your Safety

The system designer and user have the sole responsibility to select products suitable for their special application requirements to ensure the proper installation. Operation and maintenance of the product. Application details, material compatibility and product ratings should all be considered in the individual selection. Improper selection or use of products can cause property damage or personal injury. METALOK accepts no liability for any improper selection, installation, operation or maintenance.



Dimensions DRVP Series



Model Code	Nominal Size	A	B	C	F	E	F	G	H	J	K	L
MIRVP-06	1/8"	63	58	8	11	6.6	16	24	17	19	41.5	46
MIRVP-08	1/4"	79	72	10	11	6.6	20	29	20	35	63.5	67
MIRVP-10	3/8"	84	77	12.5	11	6.6	25	29	27	33.5	70	74
MIRVP-12	1/2"	106	96	16	11	6.6	32	38	31	38	80	84.5
MIRVP-16	3/4"	128	118	22.5	14	9	45	38	38	76	104	109.5
MIRVP-20	1"	170	153	25	14	9	50	49	47.5	95	127	133
MIRVP-25	1-1/4"	175	158	27.5	18	11.5	55	49	60	120.5	165	172
MIRVP-30	1-1/2"	195	178	37.5	20	14	75	49	71.5	143	186	196

Model Code	Nominal Size	M	N	O	P	R	S	T	U	V	HEX	WEIGHT
MIRVP-06	1/8"	28.5	41.5	1.6	16	5	9.7	6.4	7	135	12	0.26
MIRVP-08	1/4"	33.5	46	4.8	25.5	7	12.7	14.2	7	3315	12	0.5
MIRVP-10	3/8"	38	51	4	25.5	10	15.6	18	7	29.5	12	0.8
MIRVP-12	1/2"	44.5	57.5	4	30	13	18.6	21	7	36.5	12	1.1
MIRVP-16	3/4"	54	70	11	54	17	24.5	14	9	49	12	2.5
MIRVP-20	1"	60	76.5	19	57	22	30.5	16	9	49	19	3.9
MIRVP-25	1-1/4"	76	100	20.6	79.5	28.5	37.4	15	11	77	19	6.7
MIRVP-30	1-1/2"	92	115	23.8	95	35	43.4	15	13	85	19	11

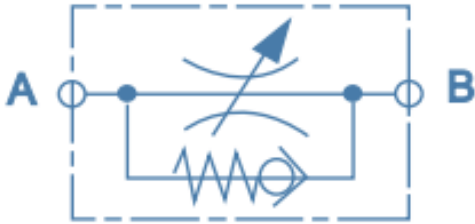
Dimensions are for reference only and subject to change without notice.

Warning for Your Safety

The system designer and user have the sole responsibility to select products suitable for their special application requirements to ensure the proper installation. Operation and maintenance of the product. Application details, material compatibility and product ratings should all be considered in the individual selection. Improper selection or use of products can cause property damage or personal injury. METALOK accepts no liability for any improper selection, installation, operation or maintenance.



Carbon Steel



up to 350 bar
up to 300 l/min

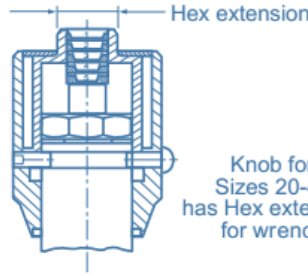
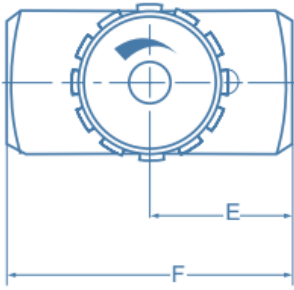


Dimensions are for reference only and subject to change without notice.

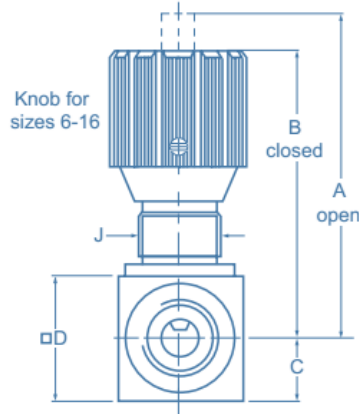
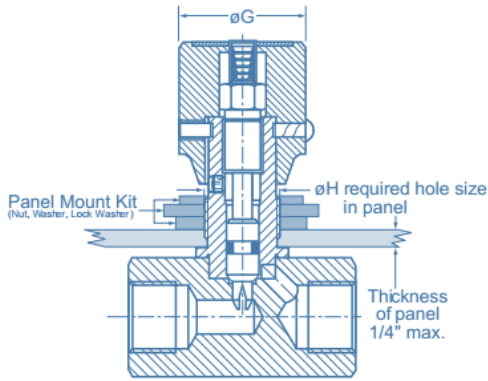
Warning for Your Safety

The system designer and user have the sole responsibility to select products suitable for their special application requirements to ensure the proper installation. Operation and maintenance of the product. Application details, material compatibility and product ratings should all be considered in the individual selection. Improper selection or use of products can cause property damage or personal injury. METALOK accepts no liability for any improper selection, installation, operation or maintenance.

Flow Control Valve



Knob for Sizes 20-40 has Hex extension for wrench



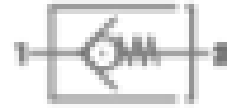
Model Code	Port Size	A	B	C	D	E	F	G	H	HEX	WEIGHT
MIV-06	1/8"	55	50	8	16	19	38	24	13	12	0.12
MIV-08	1/4"	72	65	12	25	24	48	29	19	12	0.25
MIV-10	3/8"	74	67	15	30	29	58	29	19	12	0.4
MIV-12	1/2"	92	82	17	35	34	68	38	23	12	0.7
MIV-16	3/4"	105	96	22	45	39	78	38	23	12	1.2
MIV-20	1"	145	128	25	50	54	108	49	38	19	2.1
MIV-25	1-1/4"	150	133	30	60	54	108	49	38	19	2.8
MIV-30	1-1/2"	155	138	35	70	54	108	49	38	19	3.5

Dimensions are for reference only and subject to change without notice.

Warning for Your Safety

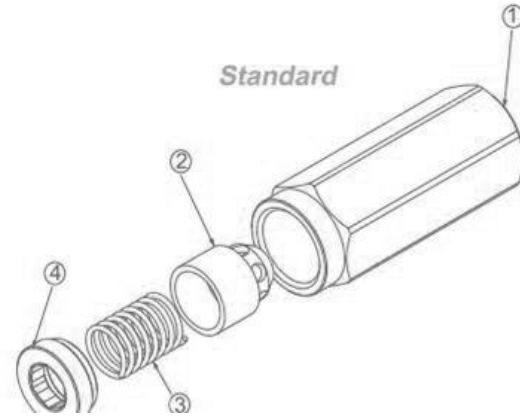
The system designer and user have the sole responsibility to select products suitable for their special application requirements to ensure the proper installation. Operation and maintenance of the product. Application details, material compatibility and product ratings should all be considered in the individual selection. Improper selection or use of products can cause property damage or personal injury. METALOK accepts no liability for any improper selection, installation, operation or maintenance.

Inline High Pressure Check Valves



Specifications

- Type: check valve CV
- Body: Hexagonal
- Material: 1,0737/1,4749
- Ball seats: from 1/4 to 2"
- Operating pressure: PN500
- T emp. range: -10°C to +100°C depending on seal material selected



On request

- Special Threads
- Pressure Class PN 500
- Spring closed: 1BAR - 3BAR - 5BAR - 8BAR

Nos.	Description	Material	Q.ta
1	Body	10737	1
2	Poppet	14749	1
3	Spring	10116	1
4	Ring	10737	1

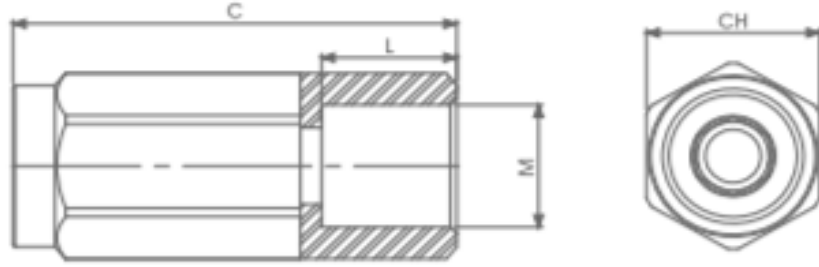
Dimensions are for reference only and subject to change without notice.

Warning for Your Safety

The system designer and user have the sole responsibility to select products suitable for their special application requirements to ensure the proper installation. Operation and maintenance of the product. Application details, material compatibility and product ratings should all be considered in the individual selection. Improper selection or use of products can cause property damage or personal injury. METALOK accepts no liability for any improper selection, installation, operation or maintenance.



High Pressure Check Valves



CV DIN ISO 228 BSP
Standard

Type	PN	DN	Max Mllow l/m	Cracking Pressure	C	L	M	CH	KG
MIV G 1/4	400 Bar	6	13	0.5/1 BAR	54	15	G 1/4	19	0,1
MIV G 3/8	400 Bar	10	30	0.5/1 BAR	64	15	G 3/8	24	0,18
MIV G 1/2	400 Bar	13	50	0.5/1 BAR	74	17	G 1/2	27	0,23
MIV G 3/4	400 Bar	20	90	0.5/1 BAR	85	21	G 3/4	35	0,45
MIV G 1"	400 Bar	25	150	0.5/1 BAR	109	24	G 1"	41	0,73
MIV G 1" 1/4	350 Bar	32	200	0.5/1 BAR	122	24	G 1" 1/4	55	1,49
MIV G 1" 1/2	350 Bar	40	300	0.5/1 BAR	137	24	G 1" 1/2	60	2
MIV G 2"	350 Bar	50	430	0.5/1 BAR	159	27	G 2"	70	2,7

Dimensions are for reference only and subject to change without notice.

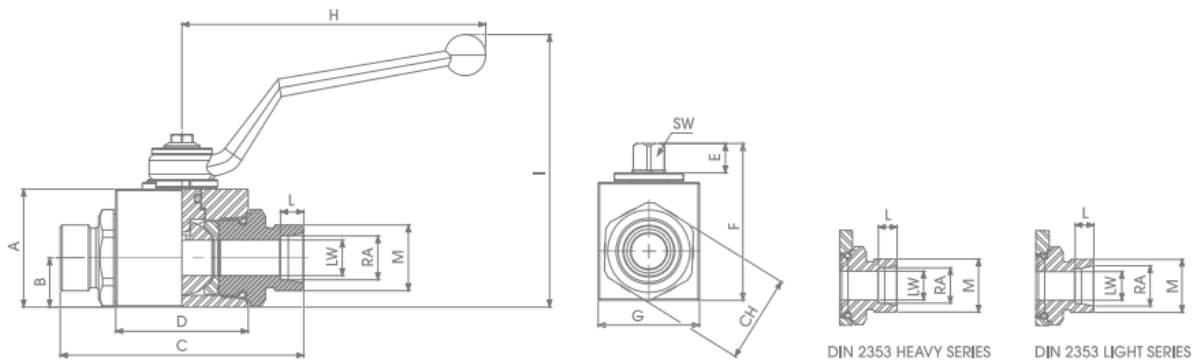
Warning for Your Safety

The system designer and user have the sole responsibility to select products suitable for their special application requirements to ensure the proper installation. Operation and maintenance of the product. Application details, material compatibility and product ratings should all be considered in the individual selection. Improper selection or use of products can cause property damage or personal injury. METALOK accepts no liability for any improper selection, installation, operation or maintenance.



3 Way High Pressure Ball Valve

Light & Heavy Series



Type	PN	DN	A	B	C	D	E	F	G	H	I	L	M	CW	SW	LW	Weight kg
MIHB2 G 1/8"	500 Bar	4	35	14	71	42	11	49	30	110	91	11	G 1/8	24	9	4	0,512
MIHB2 G 1/4	500 Bar	6	35	14	71	42	11	49	30	110	91	15,5	G 1/4	24	9	6	0,497
MIHB2 G 3/8	500 Bar	10	40	17	73	44	11	54.25	35	110	96	15,5	G 3/8	30	9	10	0,652
MIHB2 G 1/2	500 Bar	13	43	18	83	48	11	57	37	110	99	17	G 1/2	32	9	13	0,77
MIHB2 G 3/4	400 Bar	20	55	23	95	62	14	73.5	45	180	106	21	G 3/4	41	14	20	1,46
MIHB2 G 1"	350 Bar	25	65	29	112	66	14	83.5	55	180	116	24	G 1"	50	14	25	2,23
MIHB2 G 1 1/4 R	350 Bar	25	65	29	120	66	14	83.5	55	180	116	24	G 1 1/4	55	14	25	2,299
MIHB2 G 1 1/2 R	350 Bar	25	65	29	124	66	14	83.5	55	180	116	24	G 1 1/2	60	14	25	2,413
MIHB2 G 1 1/4	350 Bar	85	85	37	110	83	17	103	75	305	145	13	G 1 1/4	65	17	32	4,140
MIHB2 G 1 1/2	350 Bar	96	95	42	130	91	17	114	85	305	155	19	G 1 1/2	70	17	38	5,54
MIHB2 G 2"	350 Bar	112	113	52	140	100	17	131	110	305	173	19	G 2"	85	17	50	8,580

Type	PN	DN	A	B	C	D	E	F	G	H	I	L	M	CW	SW	LW	RA	Weight kg
MIHB2 8S	500 Bar	4	35	14	76	42	11	49	30	110	91	7	16X1,5	24	4	9	8	0,501
MIHB2 10S	500 Bar	6	35	14	76	42	11	49	30	110	91	7.5	18X1,5	24	6	9	10	0,501
MIHB2 12S	500 Bar	10	40	17	76	44	11	54	35	110	96	7.5	20X1,5	30	10	9	12	0,599
MIHB2 14S	500 Bar	10	40	17	82	44	11	54	35	110	96	8	22X1,5	30	10	9	14	0,629
MIHB2 16S	500 Bar	13	43	18	89	48	11	57	37	110	99	8.5	24X1,5	32	13	9	16	0,67
MIHB2 20S	500 Bar	13	43	18	93	48	11	57	37	110	99	10.5	30X2	32	13	14	20	0,786
MIHB2 25S	400 Bar	20	55	23	111	62	14	73	45	180	10	12	36X2	41	20	14	25	1,485
MIHB2 30S	350 Bar	25	65	29	121	66	14	83	55	180	116	13	42X2	50	25	14	30	2,145
MIHB2 38S	350 Bar	25	65	29	131	66	14	83	55	180	116	16	52X2	55	25	14	38	2,373

Dimensions are for reference only and subject to change without notice.

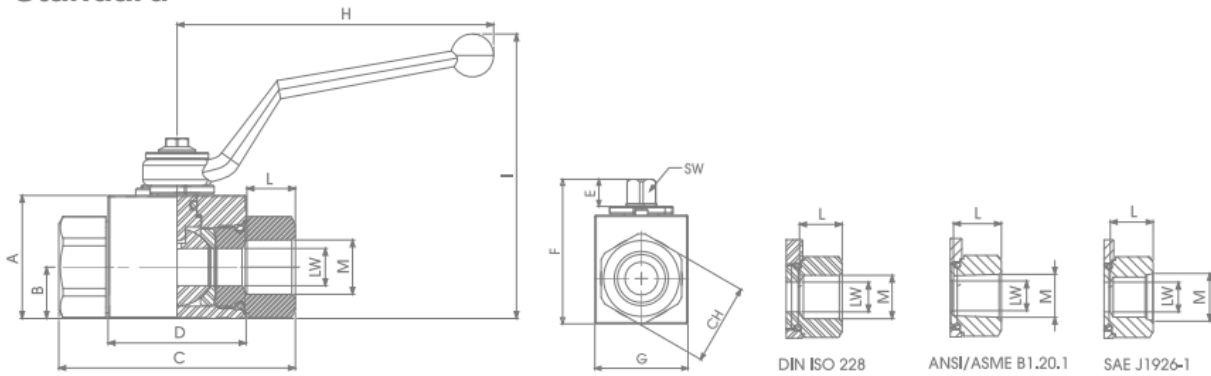
Warning for Your Safety

The system designer and user have the sole responsibility to select products suitable for their special application requirements to ensure the proper installation. Operation and maintenance of the product. Application details, material compatibility and product ratings should all be considered in the individual selection. Improper selection or use of products can cause property damage or personal injury. METALOK accepts no liability for any improper selection, installation, operation or maintenance.



3 Way High Pressure Ball Valve

Standard



M
E
T
A
L
O
K

I
N
D
U
S
T
R
I
E
S

Type	PN	DN	A	B	C	D	E	F	G	H	I	L	M	CW	SW	LW	WEIGHT KG
MIHB2 G 1/8"	500 Bar	4	35	14	71	42	11	49	30	110	91	11	G 1/8	24	9	4	0,512
MIHB2 G 1/4	500 Bar	6	35	14	71	42	11	49	30	110	91	15,5	G 1/4	24	9	6	0,497
MIHB2 G 3/8	500 Bar	10	40	17	73	44	11	54.25	35	110	96	15,5	G 3/8	30	9	10	0,652
MIHB2 G 1/2	500 Bar	13	43	18	83	48	11	57	37	110	99	17	G 1/2	32	9	13	0,77
MIHB2 G 3/4	400 Bar	20	55	23	95	62	14	73.5	45	180	106	21	G 3/4	41	14	20	1,46
MIHB2 G 1"	350 Bar	25	65	29	112	66	14	83.5	55	180	116	24	G 1"	50	14	25	2,23
MIHB2 G 1" 1/4 R	350 Bar	25	65	29	120	66	14	83.5	55	180	116	24	G 1" 1/4	55	14	25	2,299
MIHB2 G 1" 1/2 R	350 Bar	25	65	29	124	66	14	83.5	55	180	116	24	G 1" 1/2	60	14	25	2,413
MIHB2 G 1" 1/4	350 Bar	85	85	37	110	83	17	103	75	305	145	13	G 1" 1/4	65	17	32	4,140
MIHB2 G 1" 1/2	350 Bar	96	95	42	130	91	17	114	85	305	155	19	G 1" 1/2	70	17	38	5,54
MIHB2 G 2"	350 Bar	112	113	52	140	100	17	131	110	305	173	19	G 2"	85	17	50	8,580

Type	PN	DN	A	B	C	D	E	F	G	H	I	L	M	CW	SW	LW	WEIGHT KG
MIHB2 N 1/8"	500 Bar	4	35	14	71	42	11	49	30	110	91	11	N 1/8	24	9	4	0,512
MIHB2 N 1/4	500 Bar	6	35	14	71	42	11	49	30	110	91	15,5	N 1/4	24	9	6	0,5
MIHB2 N 3/8	500 Bar	10	40	17	73	44	11	54.25	35	110	96	15,5	N 3/8	30	9	10	0,655
MIHB2 N 1/2	500 Bar	13	43	18	83	48	11	57	37	110	99	17	N 1/2	32	9	13	0,771
MIHB2 N 3/4	400 Bar	20	55	23	95	62	14	73.5	45	180	106	21	N 3/4	41	14	20	1,478
MIHB2 N 1"	350 Bar	25	65	29	112	66	14	83.5	55	180	116	24	N 1"	50	14	25	2,279
MIHB2 N 1" 1/4 R	350 Bar	25	65	29	120	66	14	83.5	55	180	116	24	N 1" 1/4	55	14	25	2,351
MIHB2 N 1" 1/2 R	350 Bar	25	65	29	124	66	14	83.5	55	180	116	24	N 1" 1/2	60	14	25	2,482
MIHB2 N 1" 1/4	350 Bar	85	85	37	110	83	17	103	75	305	145	13	N 1" 1/4	65	17	32	4,140
MIHB2 N 1" 1/2	350 Bar	96	95	42	130	91	17	114	85	305	155	19	N 1" 1/2	70	17	38	5,540
MIHB2 N 2"	350 Bar	112	113	52	140	100	17	131	110	305	173	19	N 2"	85	17	50	8,580

Type	PN	DN	A	B	C	D	E	F	G	H	I	L	M	CW	SW	LW	WEIGHT KG
MIHB2 SAE4	500 Bar	6	35	14	71	42	11	49	30	110	91	15,5	7/16 UNMI	24	9	6	0,504
MIHB2 SAE6	500 Bar	10	40	17	73	44	11	54.25	35	110	96	16	9/16 UNMI	30	9	10	0,663
MIHB2 SAE8	500 Bar	13	43	18	83	48	11	57	37	110	99	17,5	3/4 UNMI	32	9	13	0,779
MIHB2 SAE12	400 Bar	20	55	23	95	62	14	73.5	45	180	106	23	1" 1/16 UN	41	14	20	1,441
MIHB2 SAE16	350 Bar	25	65	29	112	66	14	83.5	55	180	116	23	1" 5/16 UN	50	14	25	2,335
MIHB2 SAE20R	350 Bar	25	65	29	120	66	14	83.5	55	180	116	23	1" 5/8 UN	55	14	25	2,307
MIHB2 SAE24R	350 Bar	25	65	29	124	66	14	83.5	55	180	116	23	1" 7/8 UN	60	14	25	2,399
MIHB2 SAE 1" 1/4	350 Bar	85	85	37	110	83	17	103	75	305	145	13	G 1" 1/4	65	17	32	4,140
MIHB2 SAE 1" 1/2	350 Bar	96	95	42	130	91	17	114	85	305	155	19	G 1" 1/2	70	17	38	5,540
MIHB2 SAE 2"	350 Bar	112	113	52	140	100	17	131	110	305	173	19	G 2"	85	17	50	8,580

Dimensions are for reference only and subject to change without notice.

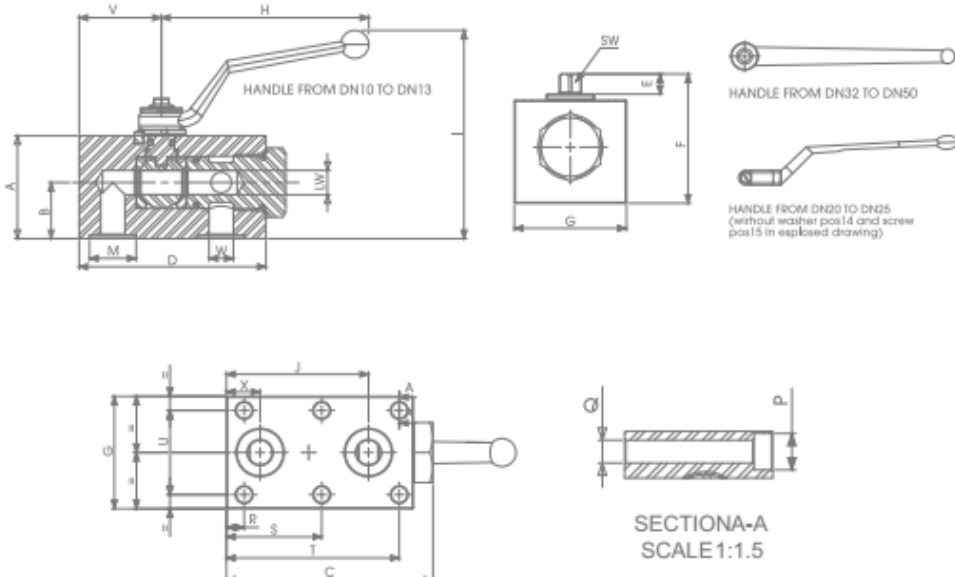
Warning for Your Safety

The system designer and user have the sole responsibility to select products suitable for their special application requirements to ensure the proper installation. Operation and maintenance of the product. Application details, material compatibility and product ratings should all be considered in the individual selection. Improper selection or use of products can cause property damage or personal injury. METALOK accepts no liability for any improper selection, installation, operation or maintenance.

Manifold Block Mounting High Pressure Ball Valves



Standard



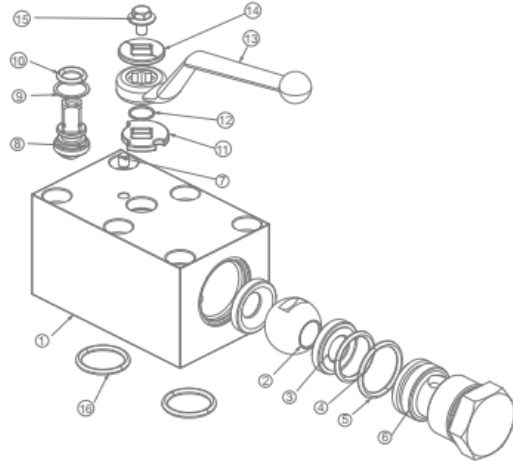
Type	PN	DN	A	B	C	D	E	F	G	H	I	M	W	X	J	P	Q	R	S	T	U	V	SW	LW	WEIGHT
MIHP2	500 Bar	6	35	22	64	58	7	42	40	110	61	11.8	6	9.5	44,5	10,5	6,5	9	30	44	27	26	6	6	0,593
MIHP2	500 Bar	10	45	22	79	70	11	59	55	110	101	14.9	9.8	10	54	13,5	8,5	7,5	41	62.5	40	28	9	10	1,304
MIHP2	400 Bar	13	55	30	110	100	11	69	60	110	111	24.9	13	18	76	13,5	8,5	9,5	51	92.5	45	44	9	13	2,387
MIHP2	350 Bar	20	70	38	129	118	14	88	70	180	124	29	20	21	90	16,5	10,5	11,5	60	108.5	51	52	14	20	4,079
MIHP2	350 Bar	25	79	44	146	135	14	98	80	180	131	34.9	25	24	105	16,5	10,5	9	66.5	124	60	61	14	25	5,883
MIHP2	350 Bar	32	105	58	183	165	14	124	100	300	124	39.7	32	28	124	19	13	11	79	147	78	74	17	32	12,169
MIHP2	350 Bar	40	115	61	201	185	14	133	130	300	134	47.7	37	29	141	25	16,5	29	85	141	95	85	17	40	18,624
MIHP2	350 Bar	50	129	72	256	240	14	147	150	300	147	59.8	48	38	174	31	21	38	106	174	112	106	17	48	30,644

Dimensions are for reference only and subject to change without notice.

Warning for Your Safety

The system designer and user have the sole responsibility to select products suitable for their special application requirements to ensure the proper installation. Operation and maintenance of the product. Application details, material compatibility and product ratings should all be considered in the individual selection. Improper selection or use of products can cause property damage or personal injury. METALOK accepts no liability for any improper selection, installation, operation or maintenance.

Manifold Block Mounting High Pressure Ball Valves



Specifications

- Type : ball valve FHP2 2way
- Body: square
- Material : 1,0737
- Ball seats: from DN6 up to DN50
- O -Rings: NBR, FFM, EPDM, MVQ
- Operating pressure: 500 Bar depending on valve size and seal materials selected
- T emp. range: -10 C to +100 C depending ° ° on seal material selected

On request

- O-Ring in EPDM, FFFM, MQV
- Seals in PEEF, P A612
- Stem in stainless steel 1,4404
- Ball in stainless steel 1,4404
- Pressure Class PN 100 to PN 500
- Pneumatic and electrical actuator
- Locking device

Nos.	Description	Material	Q.ta
1	Body	10737	1
2	Ball	10737	1
3	Ball seat	POM	2
4	Adapter o-ring	NBR	1
5	Adapter o-ring	NBR	1
6	Adapter	10737	1
7	Spine	10737	1
8	Stem	10737	1
9	Stem ring	POM	1
10	Stem o-ring	NBR	1
11	Washer	10116	1
12	Seeger	14301	1
13	Handle	ZINC	1
14	Washer	10116	1
15	Screw	Din 6921 8.8	1
16	Body o-ring	NBR	2

Dimensions are for reference only and subject to change without notice.

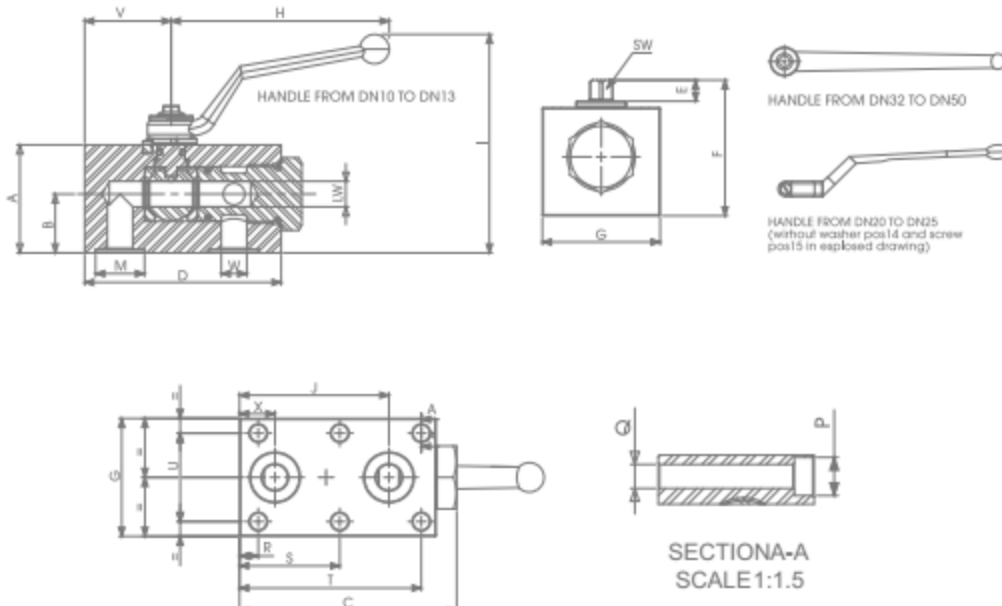
Warning for Your Safety

The system designer and user have the sole responsibility to select products suitable for their special application requirements to ensure the proper installation. Operation and maintenance of the product. Application details, material compatibility and product ratings should all be considered in the individual selection. Improper selection or use of products can cause property damage or personal injury. METALOK accepts no liability for any improper selection, installation, operation or maintenance.

Manifold Block Mounting High Pressure Ball Valves



Standard



Type	PN	DN	A	B	C	D	E	F	G	H	I	M	W	X	J	P	Q	R	S	T	U	V	SW	LW	WEIGHT
MIHP2	500 Bar	6	35	22	64	58	7	42	40	110	61	11.8	6	9.5	44,5	10,5	6,5	9	30	44	27	26	6	6	0,593
MIHP2	500 Bar	10	45	22	79	70	11	59	55	110	101	14.9	9.8	10	54	13,5	8,5	7,5	41	62.5	40	28	9	10	1,304
MIHP2	400 Bar	13	55	30	110	100	11	69	60	110	111	24.9	13	18	76	13,5	8,5	9,5	51	92.5	45	44	9	13	2,387
MIHP2	350 Bar	20	70	38	129	118	14	88	70	180	124	29	20	21	90	16,5	10,5	11,5	60	108.5	51	52	14	20	4,079
MIHP2	350 Bar	25	79	44	146	135	14	98	80	180	131	34.9	25	24	105	16,5	10,5	9	66.5	124	60	61	14	25	5,883
MIHP2	350 Bar	32	105	58	183	165	14	124	100	300	124	39.7	32	28	124	19	13	11	79	147	78	74	17	32	12,169
MIHP2	350 Bar	40	115	61	201	185	14	133	130	300	134	47.7	37	29	141	25	16,5	29	85	141	95	85	17	40	18,624
MIHP2	350 Bar	50	129	72	256	240	14	147	150	300	147	59.8	48	38	174	31	21	38	106	174	112	106	17	48	30,644

Dimensions are for reference only and subject to change without notice.

Warning for Your Safety

The system designer and user have the sole responsibility to select products suitable for their special application requirements to ensure the proper installation. Operation and maintenance of the product. Application details, material compatibility and product ratings should all be considered in the individual selection. Improper selection or use of products can cause property damage or personal injury. METALOK accepts no liability for any improper selection, installation, operation or maintenance.



Our Total customer satisfaction results in A True Partnership.



CUSTOMER BASE

More than three decades of experience, expertise and dedication ensures world class quality and excellent performance of METALOK products resulted in establishing worldwide customer base.

GRATITUDE

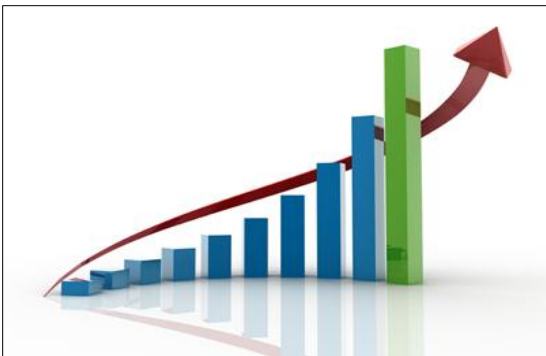
We at METALOK always appreciated and thankful to all our Valued Customers for undaunted support and faith reposed on us which motivates us to perform better all the time

EDGE

Our in-house Design, manufacturing and Testing facilities only emphasizes that METALOK Fitting and Valves are one of the Best, versatile, safe, compatible, easy for installation and operation in Instrumentation, Hydraulic and Industrial applications.

OUR GOAL

Our company's vision is to understand our customers requirements and meet them fully to their entire satisfaction by way of high quality, timely delivery, competitive price and prompt service.



www.metalokindustries.com



METALOK INDUSTRIES
(AN ISO 9001: 2008 Certified Company)

Regd Office & Unit : G-16 & 21, Nikisha Industrial Estate , Near Pandurang wadi, Western Express Highway, Mira Road East, Thane 401 107.



+91 22 28453235
+91 9869552950 (Hassan Shaikh)
+91 9892277161 (Rehan Shaikh)



metalokindustries@gmail.com
sales@metalokindustries.com
metalok@live.com



www.metalokindustries.com

METALOK INDUSTRIES

sales@metalokindustries.com



M
E
T
A
L
O
K

I
N
D
U
S
T
R
I
E
S