



METALOK HIGH PRESSURE VALVES, 15000 PSI



Dimensions are for reference only and subject to change without notice.

Warning for Your Safety

The system designer and user have the sole responsibility to select products suitable for their special application requirements to ensure the proper installation. Operation and maintenance of the product. Application details, material compatibility and product ratings should all be considered in the individual selection. Improper selection or use of products can cause property damage or personal injury. FAV accepts no liability for any improper selection, installation, operation or maintenance.



1

**BALL VALVE 2 WAY, TWO PIECE
DESIGN Upto 15000 psi,
Square Body Design**



2

**NEEDLE VALVE ,
FEMALE X FEMALE,NPT
15,000 psi**



2

**NEEDLE VALVE ,
FEMALE X MALE,NPT
15,000 psi**



3

**CHECK VALVES,
Female 15000 psi**

Dimensions are for reference only and subject to change without notice.

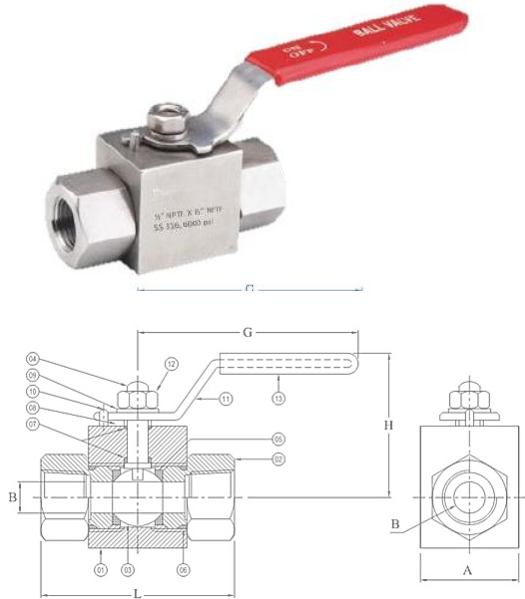
Warning for Your Safety

The system designer and user have the sole responsibility to select products suitable for their special application requirements to ensure the proper installation. Operation and maintenance of the product. Application details, material compatibility and product ratings should all be considered in the individual selection. Improper selection or use of products can cause property damage or personal injury. FAV accepts no liability for any improper selection, installation, operation or maintenance.



BALL VALVE 2 WAY, TWO PIECE DESIGN Upto 15000 psi, Square Body Design

| # | Description | Material of Construction | | | Qty |
|----|-------------|--------------------------|----------|-----------|-----|
| 1 | Body | SS 316 | SS 304 | CS A105 | 1 |
| 2 | Adopter | SS 316 | SS 304 | CS A105 | 2 |
| 3 | Ball | SS 316 | SS 304 | SS304 | 1 |
| 4 | Stem | SS 316 | SS 304 | SS304 | 1 |
| 5 | Seats | P. T.F.E. | P.T.F.E. | P.T.F.E. | 2 |
| 6 | Joint Seal | Viton | Viotn | Viotn | 2 |
| 7 | Gland Seals | P.T.F.E. | P.T.F.E. | P.T.F.E. | 2 |
| 8 | Retainer | SS | SS | SS | 1 |
| 9 | Washer | SS | SS | C.S. | 1 |
| 10 | Stop Pin | SS | SS | SS | 1 |
| 11 | Handle | SS | SS | CS Plated | 1 |
| 12 | Nut | SS | SS | CS Plated | 1 |
| 13 | Sleeve | P. V.C. | P. V.C. | P. V.C. | 1 |

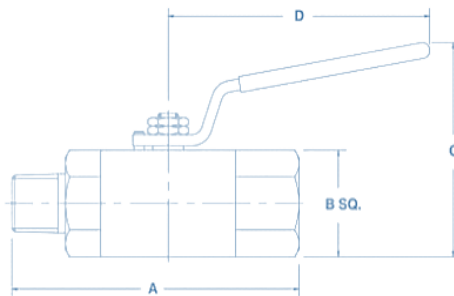


➔ **Option of Carbon Steel Handle / Stainless Steel Handle**

➔ **Option of NPT ,BSP, Socket Weld Threading**

➔ **Option of Male/Female Threading**

| Part No.* | IN/OUTLET NPT-F | Dimension | | | | | Cv |
|---------------|-----------------|-----------|-----|----|-----|----|-----|
| | | L | G | H | B | A | |
| MIBV/FF/15K02 | 1/4" | 71 | 120 | 48 | 9.5 | 32 | 9.6 |
| MIBV/FF/15K04 | 3/8" | 84 | 140 | 55 | 12 | 35 | 9.6 |
| MIBV/FF/15K06 | 1/2" | 95 | 192 | 75 | 19 | 50 | 13 |
| MIBV/FF/15K08 | 3/4" | 110 | 192 | 80 | 25 | 56 | 13 |
| MIBV/FF/15K10 | 1" | 118 | 195 | 90 | 32 | 70 | 13 |



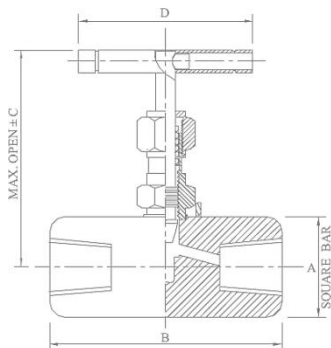
Dimensions are for reference only and subject to change without notice.

Warning for Your Safety

The system designer and user have the sole responsibility to select products suitable for their special application requirements to ensure the proper installation. Operation and maintenance of the product. Application details, material compatibility and product ratings should all be considered in the individual selection. Improper selection or use of products can cause property damage or personal injury. FAV accepts no liability for any improper selection, installation, operation or maintenance.



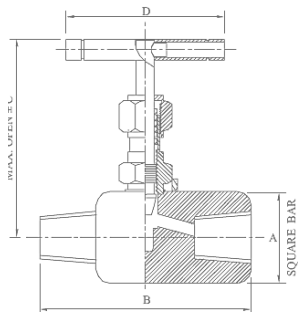
NEEDLE VALVE ,FEMALE X FEMALE,NPT 15,000 psi



| PART No. | SIZE | A | B | ±C | D |
|---------------|------|----|----|-----|----|
| MINV/FF/15K01 | 1/8" | 22 | 50 | 70 | 45 |
| MINV/FF/15K02 | 1/4" | 25 | 55 | 75 | 50 |
| MINV/FF/15K03 | 3/8" | 30 | 65 | 85 | 55 |
| MINV/FF/15K04 | 1/2" | 36 | 75 | 95 | 55 |
| MINV/FF/15K06 | 3/4" | 40 | 85 | 100 | 65 |
| MINV/FF/15K07 | 1" | 54 | 90 | 120 | 80 |

For BSP, SOCKET WELD CONNECTION end connection add BSP or SW after the part number ,
Example FNV/FF/09/BSP
FNV/FF/09/SW

NEEDLE VALVE ,FEMALE X MALE,NPT 15,000 psi



| PART No. | SIZE | A | B | ±C | D |
|---------------|------|----|----|-----|----|
| MINV/MF/15K01 | 1/8" | 22 | 50 | 70 | 45 |
| MINV/MF/15K02 | 1/4" | 25 | 55 | 75 | 50 |
| MINV/MF/15K03 | 3/8" | 30 | 65 | 85 | 55 |
| MINV/MF/15K04 | 1/2" | 36 | 75 | 95 | 55 |
| MINV/MF/15K05 | 3/4" | 40 | 85 | 100 | 65 |
| MINV/MF/15K06 | 1" | 54 | 90 | 120 | 65 |

For BSP, SOCKET WELD CONNECTION end connection add BSP or SW after the part number ,
Example FNV/FF/09/BSP
FNV/FF/09/SW

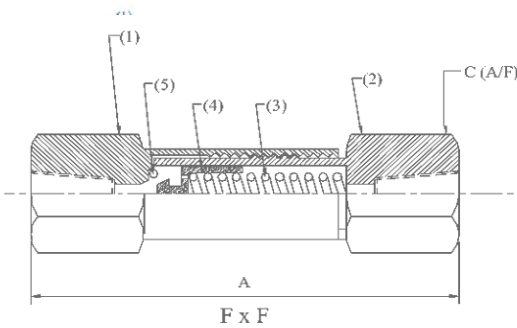
Dimensions are for reference only and subject to change without notice.

Warning for Your Safety

The system designer and user have the sole responsibility to select products suitable for their special application requirements to ensure the proper installation. Operation and maintenance of the product. Application details, material compatibility and product ratings should all be considered in the individual selection. Improper selection or use of products can cause property damage or personal injury. FAV accepts no liability for any improper selection, installation, operation or maintenance.

CHECK VALVES

CHECK VALVES, Female 15000 psi



| Material Construction | | |
|-----------------------|--------------|----------|
| # | Component, | Material |
| 1 | Body | SS 316 |
| 2 | Poppet | SS 316 |
| 3 | Seat Seal | Viton |
| 4 | Spring | SS 316 |
| 5 | Spring Guide | SS 316 |
| 6 | Stopper | SS 316 |
| 7 | Joint Seal | Viton |
| 8 | Adaptor | SS 316 |

| END CONNECTIONS | PRESSURE RATING 100°F (37°C) | | DIMENSIONS MM | L | Cv | A/F |
|-----------------|------------------------------|-----------------|---------------|----|----|------|
| | PSIG | INLET / OUT LET | | | | |
| PART No. | | | | | | |
| MICV/FF/15K02 | 1/8" | | 6000 | 58 | 22 | 0.78 |
| MICV/FF/15K04 | 1/4" | | 6000 | 58 | 25 | 1.31 |
| MICV/FF/15K06 | 3/8" | | 6000 | 65 | 27 | 1.52 |
| MICV/FF/15K08 | 1/2" | | 6000 | 70 | 36 | 1.68 |
| MICV/FF/15K12 | 3/4" | | 4300 | 82 | 45 | 4.85 |
| MICV/FF/15K16 | 1" | | 4100 | 90 | 50 | 8.3 |

Dimensions are for reference only and subject to change without notice.

Warning for Your Safety

The system designer and user have the sole responsibility to select products suitable for their special application requirements to ensure the proper installation. Operation and maintenance of the product. Application details, material compatibility and product ratings should all be considered in the individual selection. Improper selection or use of products can cause property damage or personal injury. FAV accepts no liability for any improper selection, installation, operation or maintenance.





Our Total customer satisfaction results in A True Partnership.



CUSTOMER BASE

More than three decades of experience, expertise and dedication ensures world class quality and excellent performance of METALOK products resulted in establishing worldwide customer base.

GRATITUDE

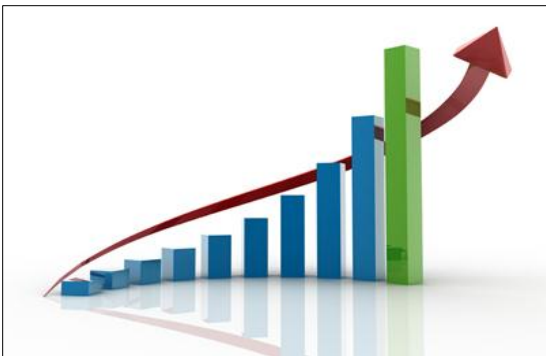
We at METALOK always appreciated and thankful to all our Valued Customers for undaunted support and faith reposed on us which motivates us to perform better all the time

EDGE

Our in-house Design, manufacturing and Testing facilities only emphasizes that METALOK Fitting and Valves are one of the Best, versatile, safe, compatible, easy for installation and operation in Instrumentation, Hydraulic and Industrial applications.

OUR GOAL

Our company's vision is to understand our customers requirements and meet them fully to their entire satisfaction by way of high quality, timely delivery, competitive price and prompt service.



www.metalokindustries.com



METALOK INDUSTRIES
(AN ISO 9001: 2008 Certified Company)

Regd Office & Unit : G-16 & 21, Nikisha Industrial Estate , Near Pandurang wadi, Western Express Highway, Mira Road East, Thane 401 107.



+91 22 28453235
+91 9869552950 (Hassan Shaikh)
+91 9892277161 (Rehan Shaikh)



metalokindustries@gmail.com
sales@metalokindustries.com
metalok@live.com



www.metalokindustries.com

METALOK INDUSTRIES

sales@metalokindustries.com



M
E
T
A
L
O
K

I
N
D
U
S
T
R
I
E
S