



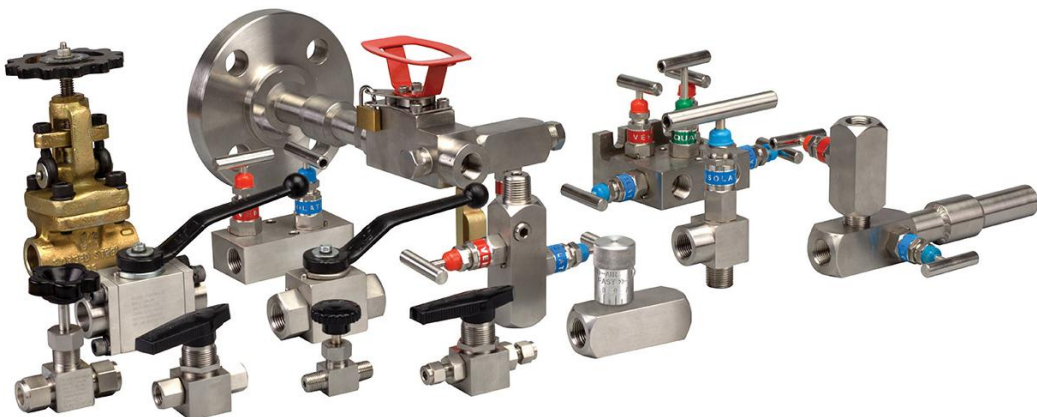
M
E
T
A
L
O
K

I
N
D
U
S
T
R
I
E
S



METALOK INDUSTRIES
(AN ISO 9001: 2008 Certified Company)

**Manufacturer of wide range of
Fittings and Valves
For Instrumentation, Hydraulic
& Precise Industrial Applications**



METALOK INDUSTRIES

sales@metalokindustries.com



The secret of our success is our engineering expertise, product accuracy, consistency, timely delivery and prompt communications



ABOUT US

METALOK INDUSTRIES is a fast growing manufacturing company of repute having more than 3 decades of experience and expertise in manufacturing and marketing high quality Fittings and Valves suitable for Instrumentation, Hydraulic and Precise Industrial applications, for Industries like Automobile, Chemical, Petrochemical, Oil & Gas, Nuclear, Power Plant, Pharmaceutical, Marine, Packaging, Printing and Aerospace Industries.

COMPANY STRENGTH

We have our head office located in Mumbai and two manufacturing plants at Dahisar Mumbai, Maharashtra which spreads over 5000 total sq. ft. area. Both the plants are well-equipped with state-of-the-art infrastructure and world-class facilities combined with a dedicated team of more than 40 employees. It helps us to exceed quality norms as well as gain momentum every passing day.



M
E
T
A
L
O
K

I
N
D
U
S
T
R
I
E
S

METALOK BALL VALVES



Dimensions are for reference only and subject to change without notice.





Warning for Your Safety

The system designer and user have the sole responsibility to select products suitable for their special application requirements to ensure the proper installation. Operation and maintenance of the product. Application details, material compatibility and product ratings should all be considered in the individual selection. Improper selection or use of products can cause property damage or personal injury. METALOK accepts no liability for any improper selection, installation, operation or maintenance.

METALOK INDUSTRIES

sales@metalokindustries.com



 <p>1</p>	 <p>2</p>	 <p>3</p>
<p>BALL VALVE 2 WAY, ONE PIECE DESIGN Upto 3000 psi, Round Body Design</p>	<p>BALL VALVE 2 WAY, TWO PIECE DESIGN Upto 6000 psi, Square Body Design</p>	<p>BALL VALVE, 2 WAY, SQUARE BODY DESIGN OD, DOUBLE FERRULE COMPRESSION</p>
 <p>4</p>	 <p>5</p>	 <p>6</p>
<p>BALL VALVE, 3 WAY, OD, DOUBLE FERRULE COMPRESSION</p>	<p>BALL VALVE, 3 WAY, Female Pipe Connection, NPT, BSP, SW</p>	<p>BALL VALVE, 3 WAY, Female Pipe Connection, NPT, BSP, SW</p>
 <p>7</p>	 <p>8</p>	 <p>9</p>
<p>PANEL BALL VALVE / PLUG VALVE OD, DOUBLE FERRULE COMPRESSION</p>	<p>PANEL BALL VALVE 2 WAY, TWO PIECE DESIGN Upto 6000 psi, Square Body Design</p>	<p>BALL VALVE 5 WAY, OD, DOUBLE FERRULE COMPRESSION</p>

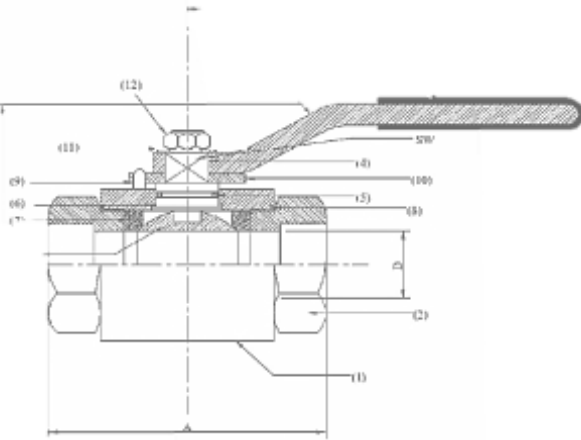
Dimensions are for reference only and subject to change without notice.

Warning for Your Safety

The system designer and user have the sole responsibility to select products suitable for their special application requirements to ensure the proper installation. Operation and maintenance of the product. Application details, material compatibility and product ratings should all be considered in the individual selection. Improper selection or use of products can cause property damage or personal injury. METALOK accepts no liability for any improper selection, installation, operation or maintenance.



BALL VALVE 2 WAY, ONE PIECE DESIGN Upto 3000 psi, Round Body Design



STANDARD DIMENSION TABLE

No.	DESCRIPTION	MATERIAL	QTY.
14	SLEEVE	PVC	1
13	HANDLE	SS	1
12	BOLT	CS	1
11	WASHER	SPRING S T E E L	1
10	CAM PLATE	MS	1
9	STOPPER PIN	SS316	1
8	S. WASHER	PTFE	1
7	P . WASHER	PTFE	1
6	B. WASHER	PTFE	1
5	GLAND NUT	SS	1
4	STEM	SS316	1
3	BALL	SS316	1
2	CONNECTOR	SS316	1
1	BODY	SS316	1

Part Number	SIZE	A	B	C	D	SW
MITWB2	2 "	140	195	105	50	16
MITWB15	1 1/2 "	125	195	95	40	16
MITWB1	1 "	111	160	80	25	14
MITWB34	3/4 "	95	150	75	20	14
MITWB12	1/2 "	84	130	50	12	9
MITWB38	3/8"	70	65	50	10	9
MITWB14	1/4 "	51	60	40	6	9

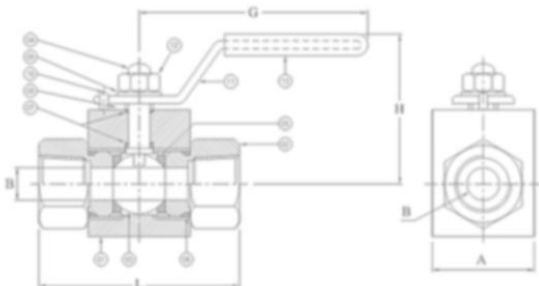
- Option of Carbon Steel Handle / Stainless Steel Handle
- Option of Male/Female Threading
- Option of NPT ,BSP, Socket Weld Threading

Also Available in Hex Body





BALL VALVE 2 WAY, TWO PIECE DESIGN Upto 6000 psi, Square Body Design



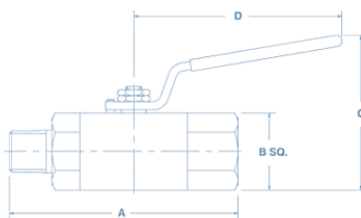
No.	Description	Material of Construction			Qty.
1	Body	SS 316	SS 304	CS A105	1
2	Adopter	SS 316	SS 304	CS A105	2
3	Ball	SS 316	SS 304	SS304	1
4	Stem	SS 316	SS 304	SS304	1
5	Seats	P. T.F.E.	P. T.F.E.	P. T.F.E.	2
6	Joint Seal	Viton	Viton	Viton	2
7	Gland Seals	P.T.F.E.	P.T.F.E.	P.T.F.E.	2
8	Retainer	SS	SS	SS	1
9	Washer	SS	SS	C.S.	1
10	Stop Pin	SS	SS	SS	1
11	Handle	SS	SS	CS Plated	1
12	Nut	SS	SS	CS Plated	1
13	Sleeve	P. V.C.	P. V.C.	P. V.C.	1

Part No.*	IN/OUTLET NPT-F	Dimension					
		L	G	H	B	A	CV
MIBV/6K/FF/2N	1/4"	66	120	44	6.4	30	9.6
MIBV/6K/FF/4N	3/8 "	71	120	48	9.5	32	9.6
MIBV/6K/FF/8N	1/2"	84	140	55	12	35	9.6
MIBV/6K/FF/12N	3/4 "	95	192	75	19	50	13
MIBV/6K/FF/16N	1"	110	192	80	25	56	13
MIBV/6K/FF/20N	1 1/4"	118	195	90	32	70	13
MIBV/6K/FF/24N	1 1/2"	130	220	110	38	80	16
MIBV/6K/FF/32N	2"	140	270	120	50	98	16

➤ Option of Carbon Steel Handle / Stainless Steel Handle

➤ Option of NPT ,BSP, Socket Weld Threading

➤ Option of Male/Female Threading

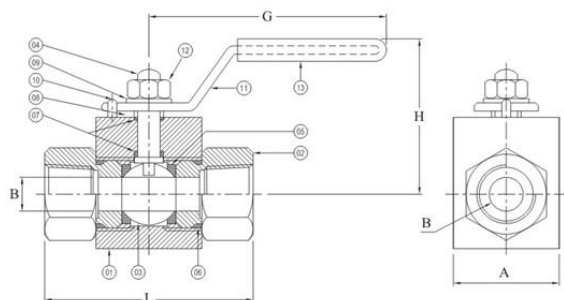


Dimensions are for reference only and subject to change without notice.

Warning for Your Safety

The system designer and user have the sole responsibility to select products suitable for their special application requirements to ensure the proper installation. Operation and maintenance of the product. Application details, material compatibility and product ratings should all be considered in the individual selection. Improper selection or use of products can cause property damage or personal injury. METALOK accepts no liability for any improper selection, installation, operation or maintenance.

BALL VALVE, 2 WAY, SQUARE BODY DESIGN OD, DOUBLE FERRULE COMPRESSION



No.	Description	Material of Construction	Qty.
1	Body	SS 316	1
2	Adopter	SS 316	2
3	Ball	SS 316	1
4	Stem	SS 316	1
5	Seats	P. T.F.E.	2
6	Joint Seal	Viton	2
7	Gland Seals	P. T.F.E.	1
8	Back-up Seal	P. T.F.E.	1
9	Retainer	SS 304	1
10	Stop Pin	SS 304	1
11	Washer	CS Plated	1
12	Stem Nut	CS Plated	1
13	Handle	CS Plated	1
14	Sleeve	P. V.C.	1
15	Nut	SS 316	2
16	Front Ferrule	SS 316	2
17	Back Ferrule	SS 316	2

➤ Option of Carbon Steel Handle / Stainless Steel Handle

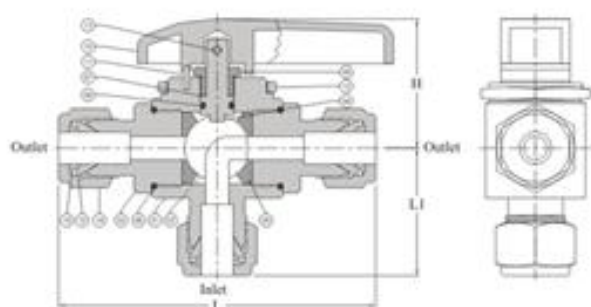
Part No.	INLET/ OUTLET OD	Dimension						CV
		L	A	C	B	H	G	
MIBV/6K/T-2	1/8 "	72	25	28	2.2	37	95	0.29
MIBV/6K/T-4	1/4 "	80	25	30	4.8	38	95	1.30
MIBV/6K/T-6	3/8 "	85	28	32	7	38	95	2.60
MIBV/6K/T-8	1/2 "	97	32	38	10	52	135	9.85
MIBV/6K/T-12	3/4 "	110	40	45	15	55	135	16.88
MIBV/6K/T-16	1 "	120	42	45	19	55	150	18.80
MIBV/6K/T-4M	4MM	72	25	28	2.5	37	95	0.29
MIBV/6K/T-6M	6MM	80	25	30	4.8	38	95	1.30
MIBV/6K/T-10M	10MM	85	28	32	7	38	95	2.60
MIBV/6K/T-12M	12MM	97	32	38	10	52	135	9.85
MIBV/6K/T-18M	18MM	110	40	45	15	55	135	16.88
MIBV/6K/T-25M	25MM	120	42	45	19	55	150	18.80

Dimensions are for reference only and subject to change without notice.

Warning for Your Safety

The system designer and user have the sole responsibility to select products suitable for their special application requirements to ensure the proper installation. Operation and maintenance of the product. Application details, material compatibility and product ratings should all be considered in the individual selection. Improper selection or use of products can cause property damage or personal injury. METALOK accepts no liability for any improper selection, installation, operation or maintenance.

BALL VALVE, 3 WAY, OD, DOUBLE FERRULE COMPRESSION



No.	Description	Material of Construction	Qty.
1	Body	SS 316	1
2	Adopter	SS 316	2
3	Ball	SS 316	1
4	Spindle	SS 316	1
5	Seats	PTFE / POM	2
6	Joint Seal	Viton/Buna-N	2
7	Gland Seals	P. T.F.E.	1
8	'O' Ring	Viton / Buna-N	1
9	Gland Nut	SS 316	1
10	Handle	Nyton	1
11	Stop Pin	SS 316	1
12	Panel Nut	SS 316	1
13	L N Screw	SS 316	1
14	NUT	SS 316	1
15	Front Ferrule	SS 316	3
16	Back Ferrule	SS 316	3

Part No.	INLET/OUTLET	Dimension			CV
	Tube OD	L	H	L1	
MIBV/6K/3T-2	1/8 "	78	55	33	0.21
MIBV/6K/3T-4	1/4"	82	55	36	0.70
MIBV/6K/3T-6	3/8"	86	55	38	0.87
MIBV/6K/3T-8	1/2"	92	60	44	1.35
MIBV/6K/3T-12	3/4 "	98	65	48	3.10
MIBV/6K/3T-16	1 "	110	70	52	4.10
MIBV/6K/3T-3M	3MM	78	55	33	0.21
MIBV/6K/3T-6M	6MM	82	55	36	0.70
MIBV/6K/3T-10M	10MM	86	55	38	0.87
MIBV/6K/3T-12M	12MM	92	60	44	1.35
MIBV/6K/3T-18M	18MM	98	65	48	3.10
MIBV/6K/3T-24M	24MM	110	70	52	4.10

Dimensions are for reference only and subject to change without notice.

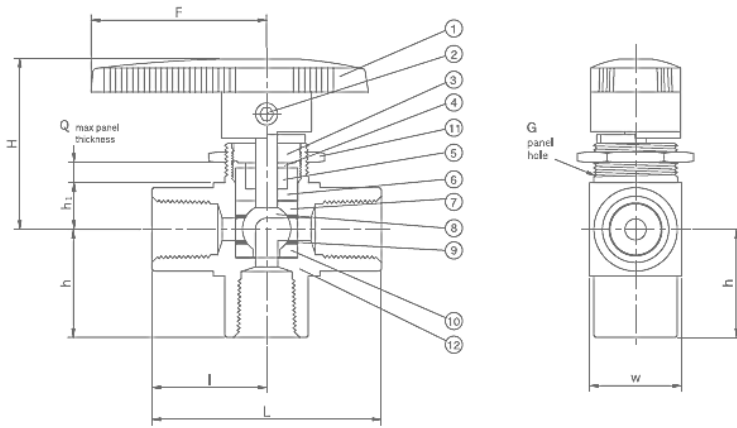
Warning for Your Safety

The system designer and user have the sole responsibility to select products suitable for their special application requirements to ensure the proper installation. Operation and maintenance of the product. Application details, material compatibility and product ratings should all be considered in the individual selection. Improper selection or use of products can cause property damage or personal injury. METALOK accepts no liability for any improper selection, installation, operation or maintenance.





BALL VALVE, 3 WAY, Female Pipe Connection, NPT, BSP, SW



No.	Description	
1	Handle	Nylon
2	Set Screw	Steel
3	Packing Bolt	316SS
4	Upper Gland	316SS
5	Bushing	PTFE
6	Lower Gland	316SS
7	Upper Packing	PTFE
8	Ball Stem	316SS
9	Side Disk	316SS
10	Lower Packing	PTFE
11	Panel Nut	304SS
12	Body	316SS

Part No.	P (NPT)	Orifice	Cv	L	l	h	h1	H	G	Q	W	F
MISBCVF-04N	1/4 "	4.8	0.9	52.3	26.2	26.2	11.1	39.6	19.8	4.8	19.8	38.8
MISBCVF-06N	3/8 "	10.3	3.5	79.2	39.6	39.6	17.5	61.9	38.1	9.4	38.1	76.2
MISBCVF-08N	1/2 "	10.3	3.5	79.2	39.6	39.6	17.5	61.9	38.1	9.4	38.1	76.2

➤ **Option of Male/Female Threading**

➤ **Option of NPT ,BSP, Socket Weld Threading**

Dimensions are for reference only and subject to change without notice.

Warning for Your Safety

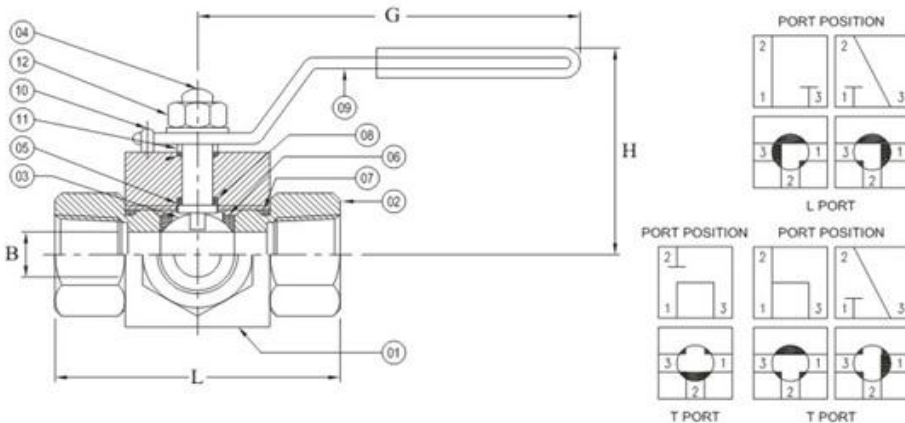
The system designer and user have the sole responsibility to select products suitable for their special application requirements to ensure the proper installation. Operation and maintenance of the product. Application details, material compatibility and product ratings should all be considered in the individual selection. Improper selection or use of products can cause property damage or personal injury. METALOK accepts no liability for any improper selection, installation, operation or maintenance.

INSTRUMENT BALL VALVES

BALL VALVE, 3 WAY, Female Pipe Connection, NPT, BSP, SW



No.	Description	Material of Construction	Qty.
1	Body	SS 316	1
2	Adapter	SS 316	2
3	Ball	SS 316	1
4	Stem	SS 316	1
5	Seats	P. T.F.E.	2
6	Joint Seal	Viton	2
7	Gland Seals	P.T.F.E	1
8	Back-up Seal	P.T.F.E	1
9	Retainer	SS 304	1



- Option of Carbon Steel Handle / Stainless Steel Handle
- Option of Male/Female Threading
- Option of NPT ,BSP, Socket Weld Threading

Part No.	INLET BSP/NPT/Weld
MIBV/6K/T-2	1/8 "
MIBV/6K/T-4	1/4 "
MIBV/6K/T-6	3/8 "
MIBV/6K/T-8	1/2 "
MIBV/6K/T-12	3/4 "
MIBV/6K/T-16	1 "

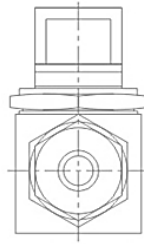
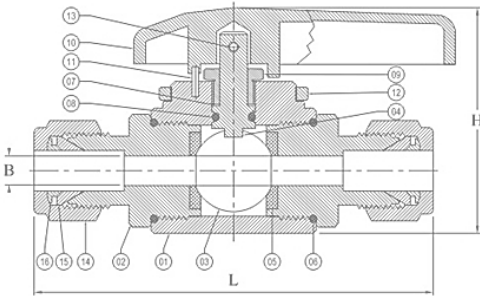
Dimensions are for reference only and subject to change without notice.

Warning for Your Safety

The system designer and user have the sole responsibility to select products suitable for their special application requirements to ensure the proper installation. Operation and maintenance of the product. Application details, material compatibility and product ratings should all be considered in the individual selection. Improper selection or use of products can cause property damage or personal injury. METALOK accepts no liability for any improper selection, installation, operation or maintenance.



PANEL BALL VALVE /PLUG VALVE OD,DOUBLE FERRULE COMPRESSION



No.	Description	Material of Construction	Qty.
1	Body	SS 316	1
2	Adapter	SS 316	2
3	Ball	SS 316	1
4	Spindle	SS 316	1
5	Seat	P.T.F.E.	2
6	Joint Seal	Viton / Buna-N	2
7	Gland Seal	P.T.F.E	1
8	O' Ring	Viton / Buna-N	1
9	Gland Nut	SS 316	1
10	Handle	Nyton	1
11	Stop Pin	SS 316	1
12	Panel Nut	SS 316	1
13	L N Screw	SS 304	1
14	Nut	SS 316	2
15	Front Ferrule	SS 316	2
16	Back Ferrule	SS 316	2



Also Available in Compact Body Design



Also Available in Forged Body Design

Part No.	INLET/OUTLET Tube	Dimension			CV
	OD	L	B	H	
MIBV/6K/PT-2	1/8"	73	2.4	55	0.26
MIBV/6K/PT-4	1/4 "	78	4.8	55	1.04
MIBV/6K/PT-6	3/8 "	83	7	55	2.34
MIBV/6K/PT-8	1/2 "	102	10	60	5.80
MIBV/6K/PT-12	3/4 "	115	15	65	6.42
MIBV/6K/PT-16	1"	135	19	70	7.82
MIBV/6K/PT-4M	4MM	73	2.4	55	0.26
MIBV/6K/PT-6M	6MM	78	4.8	55	1.04
MIBV/6K/PT-10M	10MM	83	7	55	2.34
MIBV/6K/PT-12M	12MM	102	10	60	5.80
MIBV/6K/PT-18M	18MM	115	15	65	6.42
MIBV/6K/PT-25M	25MM	135	19	70	7.82

Dimensions are for reference only and subject to change without notice.

Warning for Your Safety

The system designer and user have the sole responsibility to select products suitable for their special application requirements to ensure the proper installation. Operation and maintenance of the product. Application details, material compatibility and product ratings should all be considered in the individual selection. Improper selection or use of products can cause property damage or personal injury. METALOK accepts no liability for any improper selection, installation, operation or maintenance.

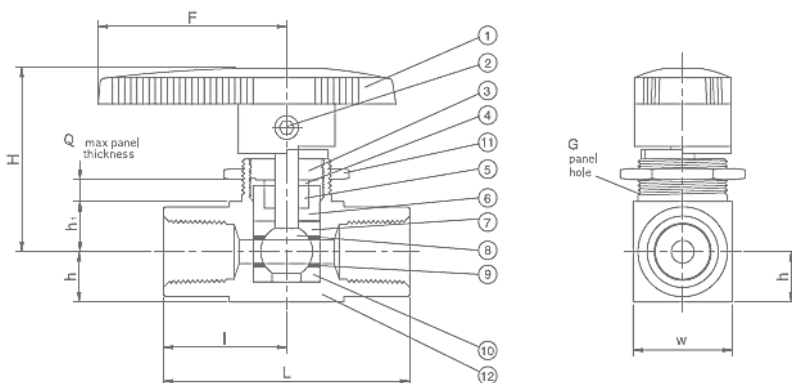




PANEL BALL VALVE 2 WAY, TWO PIECE DESIGN Upto 6000 psi, Square Body Design



No.	Description	Material
1	Handle	Nylon
2	Set Screw	Steel
3	Packing Bolt	316SS
4	Upper Gland	316SS
5	Bushing Lower	PTFE
6	Lower Gland	316SS
7	Upper Packing	PTFE
8	Ball Stem	316SS
9	Side Disk	316SS
10	Lower Packing	PTFE
11	Panel Nut	304SS
12	Body	316SS



Round End Finishing also available



Part Number	SIZE
MIBVS2	2 "
MIBVS15	1 1/2 "
MIBVS1	1 "
MIBVS34	3/4 "
MIBVS12	1/2 "
MIBVS38	3/8 "
MIBVS14	1/4 "

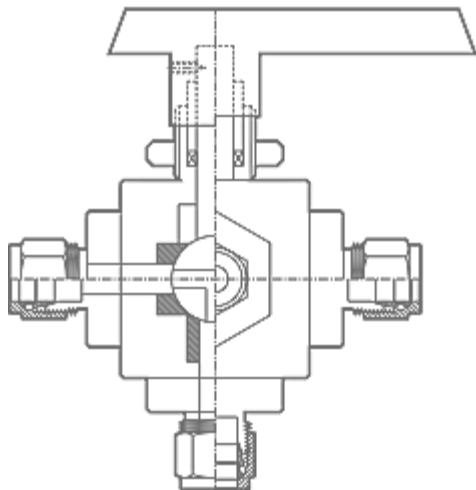
Dimensions are for reference only and subject to change without notice.

Warning for Your Safety

The system designer and user have the sole responsibility to select products suitable for their special application requirements to ensure the proper installation. Operation and maintenance of the product. Application details, material compatibility and product ratings should all be considered in the individual selection. Improper selection or use of products can cause property damage or personal injury. METALOK accepts no liability for any improper selection, installation, operation or maintenance.



BALL VALVE 5 WAY, OD, DOUBLE FERRULE COMPRESSION



PART No.	SIZE	T' Tube	D NPT	L
MIBV-PR-S-4TT	1/4 "	1/4 "	1.18	3.19
MIBV-PR-S-6TT	3/8 "	3/8 "	1.18	3.35
MIBV-PR-S-8TT	1/2 "	1/2 "	1.26	3.54

BALL VALVE 5 WAY, PIPE(NPT/BSP)



PART No.	SIZE	D NPT	L
MIBV-PR-S-4PI	1/4 "	1.18	3.19
MIBV-PR-S-6PI	3/8 "	1.18	3.35
MIBV-PR-S-8PI	1/2 "	1.26	3.54

- **Option of Male/Female Threading**
- **4 Way Ball Valve also available**

Dimensions are for reference only and subject to change without notice.

Warning for Your Safety

The system designer and user have the sole responsibility to select products suitable for their special application requirements to ensure the proper installation. Operation and maintenance of the product. Application details, material compatibility and product ratings should all be considered in the individual selection. Improper selection or use of products can cause property damage or personal injury. METALOK accepts no liability for any improper selection, installation, operation or maintenance.



Our Total customer satisfaction results in A True Partnership.



CUSTOMER BASE

More than three decades of experience, expertise and dedication ensures world class quality and excellent performance of METALOK products resulted in establishing worldwide customer base.

GRATITUDE

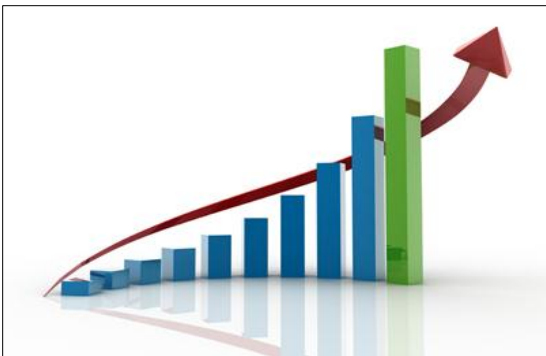
We at METALOK always appreciated and thankful to all our Valued Customers for undaunted support and faith reposed on us which motivates us to perform better all the time

EDGE

Our in-house Design, manufacturing and Testing facilities only emphasizes that METALOK Fitting and Valves are one of the Best, versatile, safe, compatible, easy for installation and operation in Instrumentation, Hydraulic and Industrial applications.

OUR GOAL

Our company's vision is to understand our customers requirements and meet them fully to their entire satisfaction by way of high quality, timely delivery, competitive price and prompt service.



www.metalokindustries.com



METALOK INDUSTRIES
(AN ISO 9001: 2008 Certified Company)

Regd Office & Unit : G-16 & 21, Nikisha Industrial Estate , Near Pandurang wadi, Western Express Highway, Mira Road East, Thane 401 107.



+91 22 28453235
+91 9869552950 (Hassan Shaikh)
+91 9892277161 (Rehan Shaikh)



metalokindustries@gmail.com
sales@metalokindustries.com
metalok@live.com



www.metalokindustries.com

METALOK INDUSTRIES

sales@metalokindustries.com

M
E
T
A
L
O
K

I
N
D
U
S
T
R
I
E
S