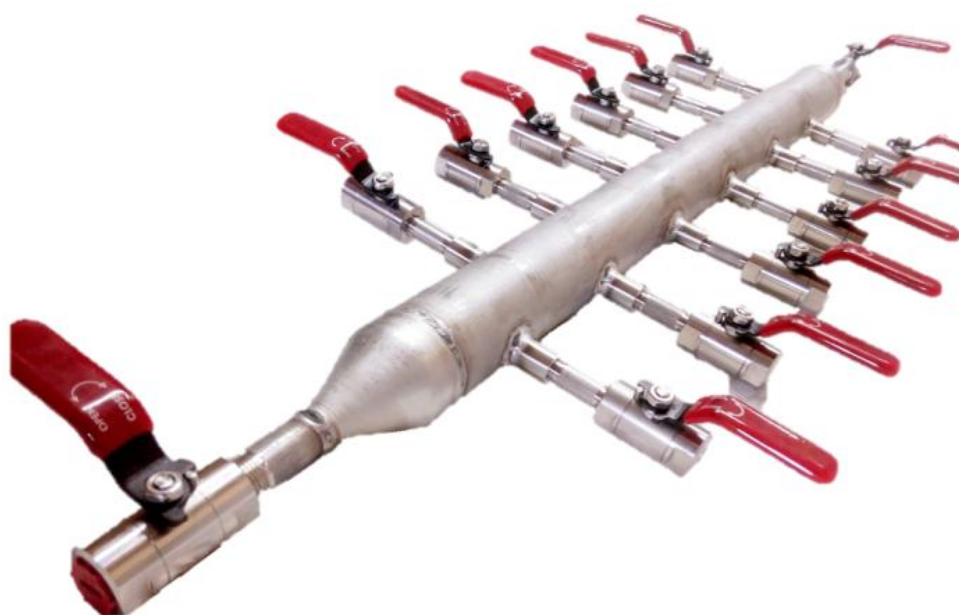




M
E
T
A
L
O
K

I
N
D
U
S
T
R
I
E
S

METALOK AIR HEADER AIR MANIFOLD



Dimensions are for reference only and subject to change without notice.

Warning for Your Safety

The system designer and user have the sole responsibility to select products suitable for their special application requirements to ensure the proper installation. Operation and maintenance of the product. Application details, material compatibility and product ratings should all be considered in the individual selection. Improper selection or use of products can cause property damage or personal injury. METALOK accepts no liability for any improper selection, installation, operation or maintenance.

METALOK INDUSTRIES

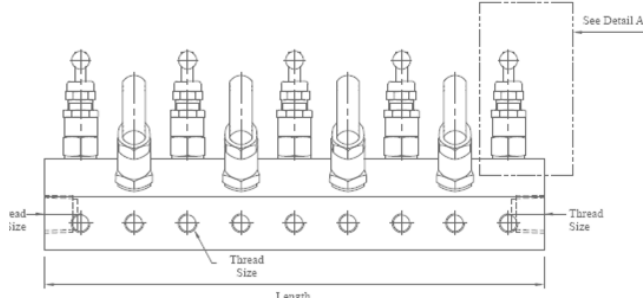
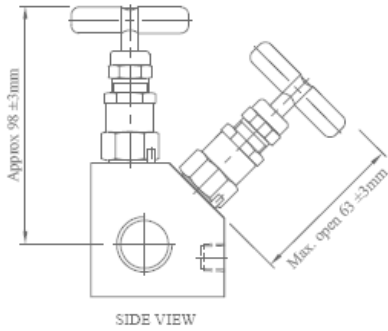
sales@metalokindustries.com

AIR HEADER DISTRIBUTOR - BAR STOCK



M
E
T
A
L
O
K

I
N
D
U
S
T
R
I
E
S



FEATURES

Connecting Inlet 1/2" NPT(F) & Outlet 1/2" NPT(F),
Drain or Vent 1/4" NPT(F), 1/8" NPT(F), Nos. of
valves upto 20, Other configuration upon request.

BONNET ASSEMBLY

Screwed bonnet design.
Bonnet-back seated blow out proof.
Spindle tip-Non rotating tip shut off type.
Dust cap protects stem threads from externals
contamination.
Leak tight seal with low operating torque.

Dimensions are for reference only and subject to change without notice.

Warning for Your Safety

The system designer and user have the sole responsibility to select products suitable for their special application requirements to ensure the proper installation. Operation and maintenance of the product. Application details, material compatibility and product ratings should all be considered in the individual selection. Improper selection or use of products can cause property damage or personal injury. METALOK accepts no liability for any improper selection, installation, operation or maintenance.

METALOK INDUSTRIES

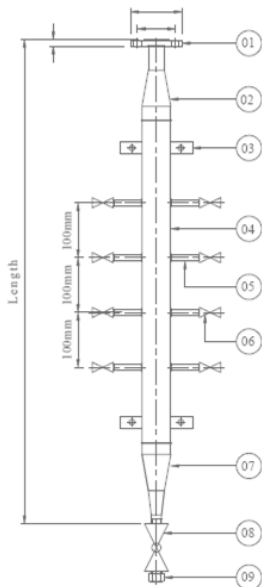
sales@metalokindustries.com

AIR HEADER DISTRIBUTOR - PIPE



M
E
T
A
L
O
K

I
N
D
U
S
T
R
I
E
S



No.	Description	Material
1	Flange NB RF	SS 316
2	Reducer NB x NB	SS 316
3	Mounting bracket	SS 304
4	Body seamless pipe	SS 316
5	Nipple NB x NPT(M) 3" long	SS 316
6	Needle Valve (FxF)	SS 316
7	Reducer NB x NPT(M)	SS 316
8	Ball Valve (NPT FxF)	SS 316
9	NPT (M) Male Plug	SS 316

Pipe air header distributor. Connects pipe to pipe or flange to flange Drain / Vent connection & 1/4", 1/2" NPT on either side of pipe.

TECHNICAL SPECIFICATIONS

1. Inlet /Outlet : 1/2", 3/4", 1" threaded or flanged.
2. End connection: NPT, BSPT, and BSPP Nipple
3. Working Pressure: 6000 psi (413 bar)
4. Temperature Rating: PTFE 450 Deg. F (232 Deg.C), Graphoil 700 Deg. F (371 Deg. C)
5. Material of construction : SS 316, SS 304, C.S.
6. All Air Headers are 100% Factory tested prior to shipment

ORDERING INFORMATION

Material of construction

- Number of ports and connection
- End connection (Input & Output)
- Pipe outer diameter & Thickness
- Length
- Working Pressure
- Temperature rating
- With Needle valves, Ball valve or Threaded Nipple

Dimensions are for reference only and subject to change without notice.

Warning for Your Safety

The system designer and user have the sole responsibility to select products suitable for their special application requirements to ensure the proper installation. Operation and maintenance of the product. Application details, material compatibility and product ratings should all be considered in the individual selection. Improper selection or use of products can cause property damage or personal injury. METALOK accepts no liability for any improper selection, installation, operation or maintenance.

METALOK INDUSTRIES

sales@metalokindustries.com



Our Total customer satisfaction results in A True Partnership.



CUSTOMER BASE

More than three decades of experience, expertise and dedication ensures world class quality and excellent performance of METALOK products resulted in establishing worldwide customer base.

GRATITUDE

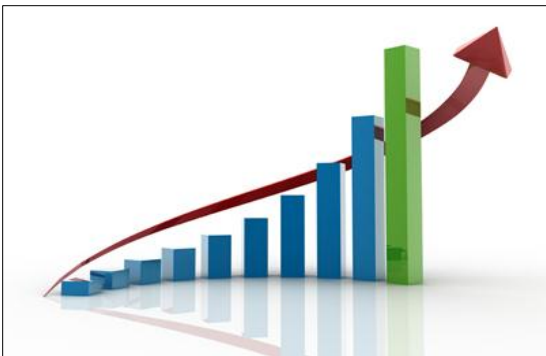
We at METALOK always appreciated and thankful to all our Valued Customers for undaunted support and faith reposed on us which motivates us to perform better all the time

EDGE

Our in-house Design, manufacturing and Testing facilities only emphasizes that METALOK Fitting and Valves are one of the Best, versatile, safe, compatible, easy for installation and operation in Instrumentation, Hydraulic and Industrial applications.

OUR GOAL

Our company's vision is to understand our customers requirements and meet them fully to their entire satisfaction by way of high quality, timely delivery, competitive price and prompt service.



www.metalokindustries.com



METALOK INDUSTRIES
(AN ISO 9001: 2008 Certified Company)

Regd Office & Unit : G-16 & 21, Nikisha Industrial Estate , Near Pandurang wadi, Western Express Highway, Mira Road East, Thane 401 107.



+91 22 28453235
+91 9869552950 (Hassan Shaikh)
+91 9892277161 (Rehan Shaikh)



metalokindustries@gmail.com
sales@metalokindustries.com
metalok@live.com



www.metalokindustries.com

METALOK INDUSTRIES

sales@metalokindustries.com



M
E
T
A
L
O
K

I
N
D
U
S
T
R
I
E
S